

## New Trends for Estrus Synchronization in Lactating Dairy Cows

Hussein A. Amer

Department of Theriogenology, Faculty of Veterinary Medicine, Zagazig University

**Abstract:** This study was conducted to through the light on a recent method for estrus synchronization in lactating dairy cows using PGF2 $\alpha$ , GnRH and Estradiol Cypionate (ECP). Four treatments were performed on 60 dairy cows. In treatment 1 (PP), cows received two injections of PGF2 $\alpha$  on days 0 and 11 (n = 14); while in treatment 2 (PGP), cows were injected twice PGF2 $\alpha$  on days 0 and 11 and 100 ug of GnRH on day 3 after the 1st injection (n=14). In treatment 3 (PGPE-0), cows were treated with PGP and 1 mg of ECP at the same time of 2nd PGF2 $\alpha$  injection (n = 16). In treatment 4 (PGPE-1), cows were treated with PGP and 1 mg of ECP one day after 2nd PGF2 $\alpha$  injection (n=16). The cows were examined rectally and ultrasonographically by B-mode Ultrasound System [Pie-Medical Scanner-240] with a 6-8 MHz linear rectal transducer. Every cow was blood sampled at selected intervals for progesterone and estradiol assay and inseminated at estrus. The results showed a higher percentage of GnRH-treated cows (PGP) ovulated after 1st PGF2 $\alpha$  injection than the non treated (PP) cows (64.3% vs 50%; p<0.05). The GnRH-treated cows tended to have a larger mature follicle present at 2nd PGF2 $\alpha$  injection. Subsequently, the percentage of cows that ovulated after 2nd PGF2 $\alpha$  injection was 71.4% vs 50% for GnRH-treated cows than none treated ones, respectively. Two days after 2nd PGF2 $\alpha$  injection, cows treated with PGP had a higher peak preovulatory concentrations of estradiol compared to PP treated cows (3.2 $\pm$ 0.48 vs 2.6 $\pm$ 0.45 pg mL<sup>-1</sup>). Additionally, cows treated with ECP (PGPE-0 and PGPE-1) had a higher peak preovulatory concentrations of estradiol (6.3 $\pm$ 0.43 and 6.99 $\pm$ 0.63 pg mL<sup>-1</sup>; p<0.01); and a higher percentage ovulation (75.0 and 87.5%) than the other treated groups (PP or PGP). Thus, a higher percentage of ECP (specially PGPE-1 group) treated cows were observed in standing estrus and ovulated after 2nd PGF2 $\alpha$  injection than the other treated groups. Submission rates (number of inseminated/total $\times$ 100), differed statistically across treatments, especially those treated with ECP, as well as; the conception and pregnancy rates were observed higher with the ECP treated cows than the other treatments.

**Key words:** New trends, estrus synchronization, dairy cows, ECP, PGP

### INTRODUCTION

Considerable research has focused on developing technologies to synchronize and efficiently detect estrus (Larson and Ball, 1992; Sterry *et al.*, 2007), as lactating dairy cows have poor reproductive performance due to low fertility and low rates of estrus detection. Recently, a protocol has been developed (ovsynch) that synchronize the time of ovulation precisely using GnRH and PGF2 $\alpha$  (Pursley *et al.*, 1995). Ovsynch is based on the initiation of a new follicular wave with GnRH before inducing luteolysis by PGF2 $\alpha$ . The emerging dominant follicle is forced to ovulate by a second treatment with GnRH allowing for Timed Artificial Insemination (TAI). Ovsynch protocol utilizes 3 treatments; GnRH administered at a random stage of the estrus cycle, PGF2 $\alpha$  given 7 days later and a 2nd GnRH treatment 2 days after PGF2 $\alpha$  injection. In lactating dairy cows, this protocol synchronized follicular development, regression of the corpus luteum and time of ovulation allowing effective

TAI without the need for detection of estrus (Burke *et al.*, 1996; Schmitt *et al.*, 1996; Pursley *et al.*, 1997). Combinations of PGF2 $\alpha$ , steroids (E2 and P4) and GnRH are used to regulate the life span of the corpus luteum, control follicular wave emergence and ovulation and synchronize estrus in cattle (Larson and Ball, 1992; Thatcher, 2001). Prostaglandins (PGF2 $\alpha$ ) or its analogues induce luteal regression, but interval to estrus is highly variable in randomly cycling cows (Lauderdale *et al.*, 1974). Short-term pretreatment with P4 or multiple injections of PGF2 $\alpha$  (at 11-14 day interval) reduced the proportion of cows that are in met estrus and increases the percentage of cows in estrus (Britt, 1979; Xu *et al.*, 1997; Bicalho *et al.*, 2007). A more precise expression of estrus (after PGF2 $\alpha$ ) can be achieved by synchronizing the follicular wave that gives rise to the preovulatory follicle. Estrogens and GnRH induce atresia or ovulation of dominant follicles and synchronize the emergence of a new follicular wave (Bo *et al.*, 1994; Burke *et al.*, 1999). Substituting oestradiol Cypionate (ECP) for the second

GnRH injection synchronizes ovulation and estrus and yields similar pregnancy rates to the original ovsynch program (Lopes *et al.*, 2000; Pancarci *et al.*, 2002). Oestradiol cypionate is the only form of estradiol registered for use in lactating dairy cows in the USA. Kojima *et al.* (2000) tested a GnRH-PGF2 $\alpha$  protocol combined with P4 pretreatment in postpartum beef cows.

The objectives of the present study are, to evaluate an estrus synchronization protocol for dairy cows based on the 7-11 system, as the interval elapsed between the GnRH and 2nd PGF2 $\alpha$  injection was prolonged to 8 days (longer than the traditional 7 days interval and to improve the synchrony of estrus and ovulation, after placement of an ECP at the end of treatment.

**MATERIALS AND METHODS**

**Animals:** This study was conducted in a private dairy farm at Dakahlia Governorate. A total of 60 lactating Holstein cows those 64.5 $\pm$ 4.6 days postpartum and eligible for first postpartum insemination were used. Cows were managed under routine conditions that included daily milking, free stall housing and twice daily feeding of total mixed ration (primary components are corn silage, alfa alfa hay and concentrates; balanced to NRC requirements). Milk production averaged 35.4 $\pm$ 0.8 kg day<sup>-1</sup> at the start of the experiment and the rolling herd average was approximately 7500 kg milk per lactation period. Only healthy cows, with normal reproductive status and with history of normal parturition; were chosen for these experiments.

**Treatments design:** Cows were randomly assigned to each of four treatments (Fig. 1).

**Treatment 1 (PP):** The cows (n=14) were injected with PGF2 $\alpha$  (2 ml Estrumate, Intervet) at day 0 and day 11.

**Treatment 2 (PGP):** The cows (n=14) were injected with PGF2 $\alpha$  (day 0), an injection of GnRH (100 ug; Cystorelin, Merial, Athens, GA) 3 days later and a 2nd dose of PGF2 $\alpha$  on day 11 (PGP treatment) was injected.

**Treatment 3 (PGPE-0):** The cows (n=16) in this design were injected as in PGP as well as a 1 mg injection of ECP (Pharmacia Animal Health, Kalamazoo, MI) at the time of 2nd PGF2 $\alpha$  injection (PGPE-0). The 0 denoted that ECP was given 0 day after 2nd PGF2 $\alpha$  injection.

**Treatment 4 (PGPE-1):** The cows (n=16) in this design were injected as in PGP with 1 mg of ECP given one day after the 2nd PGF2 $\alpha$  injection (PGPE-1).

**Estrus detection and artificial insemination:** Cows were observed for estrus 3 times daily and artificially inseminated approximately 12 h after the observed estrus (a.m.-p.m. rules). All the cows were examined rectally and ultrasonographically by B-mode Ultrasound System [Pie-Medical Scanner-240] with a linear rectal transducer of 6-8 MHz] to record the corpora lutea and follicles (=1.5 mm) at each observation in the 4 treatments.

**Assay of plasma progesterone (P4) and estradiol (E2):** Cocygeal blood samples were collected on day 0 (1st PGF2 $\alpha$  injection), 3 and 5 and daily up to day 11 to ovulation or day 16 for cows that failed to ovulate after 2nd PGF2 $\alpha$  injection (examined per rectum) into EDTA-treated tubes and placed immediately on ice. Plasma was harvested by centrifugation (1500Xg for 15 min), within 4 h of collection and stored at -20°C until quantification of P4 and E2 by Radio-Immunoassay (RIA). Plasma was harvested and assayed for progesterone and estradiol.

Plasma progesterone concentrations were determined using a commercial available RIA-kits (Coat-A-Count; Diagnostic Products Corporation, C.A), validated for

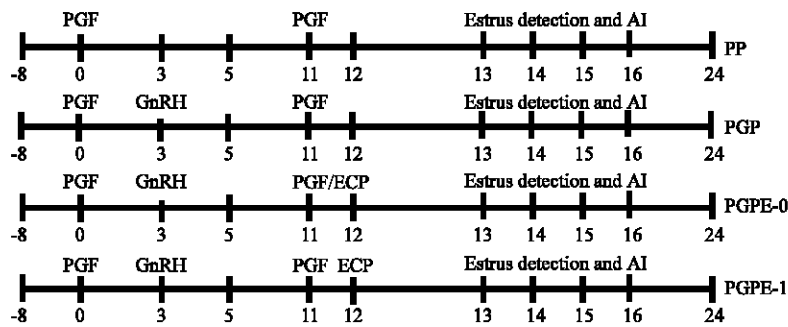


Fig. 1: Time line for treatment administration (PGF=2 mL Estrumate; GnRH=100 ug Cystorelin; ECP=1 mg Estradiol cypionate). Estrus detection and artificial insemination for cows treated with PP, PGP, PGPE-0 and PGPE-1 protocols. Blood plasma was collected for progesterone and estradiol analysis

bovine plasma (Kirby *et al.*, 1997). Samples were analyzed across 5 assays and intra- and inter-assay coefficient of variation was 16.9 and 7.9%, respectively. Plasma estradiol concentrations were determined on day 11 through day 16 (in 4 treatments) with a validated RIA (Kirby *et al.*, 1997). Samples were analyzed across 6 assays and intra- and inter-assay coefficient of variation was 7.5 and 14.7%, respectively.

**Pregnancy check:** Cows were checked for pregnancy by ultrasound scanning at 40 and confirmed by rectal palpation at 45 days after artificial insemination. The submission, conception and pregnancy rates were measured in the 4 groups of treated cows:

- Submission rate = Number of cows inseminated within 4 days after 2nd PGF2 $\alpha$  injection/total number of cows.
- Conception rate = Number of pregnant cows/number of inseminated cows.
- Pregnancy rate = Number of pregnant cows /total number of treated cows.

**Statistical analysis:** Data were analyzed using the Statistical Analysis System (SAS, 1996). Plasma estradiol concentrations were analyzed as repeated measures using the General Linear Models Procedure (Proc. GLM). Proportion of cows ovulating after each PGF2 $\alpha$  injection was tested using a  $\chi^2$ -test.

**RESULTS**

A greater percentage of GnRH-treated cows (PGP) ovulated after 1st PGF2 $\alpha$  injection than the non treated (PP) cows (64.3% vs 50%;  $p < 0.05$ ; Table 1). The improved ovulation percentage was associated with a large follicle that tended ( $p < 0.10$ ) to be larger in size at the time of 2nd PGF2 $\alpha$  injection for PGP vs PP treated cows. However, mature follicles were determined by 2 days after 2nd PGF2 $\alpha$  injection. Although treatment with GnRH was associated with an increased ovulation percentage after 1st PGF2 $\alpha$  injection, the percentage of cows that ovulated after 2nd PGF2 $\alpha$  injection was 71.4% versus 50%; for GnRH-treated cows than non treated ones, respectively (Table 1). The interval to estrus ( $64 \pm 7$  h) and the interval to ovulation ( $97 \pm 9$  h) were also similar for both treatments.

Cows treated with PGP had higher peak preovulatory concentrations of estradiol in plasma compared to PP treated cows ( $3.2 \pm 0.48$  vs  $2.6 \pm 0.45$  pg mL $^{-1}$ ) following the 2nd PGF2 $\alpha$  injection (Fig. 2).

Table 1: Summary of ovarian response to PGF2 $\alpha$ , GnRH and estradiol cypionate injection for cows treated with four synchronization protocols

Treatment design <sup>a</sup>	No.	Ovarian response (%)			
		After 1st PGF2 $\alpha$ injection <sup>b</sup>		After 2nd PGF2 $\alpha$ injection <sup>c</sup>	
		Ovulating	None ovulating	Ovulating	None ovulating
PP	14	7 (50)	7 (50)	7 (50)	7 (50)
PGP	14	9 (64.3)	5 (35.7)	10 (71.4)	4 (28.6)
PGPE-0	16	12 (75)	4 (25.0)	12 (75)	4 (25)
PGPE-1	16	13 (81.2)	3 (18.8)	14 (87.5) <sup>d</sup>	2 (12.5)
Total	60	41 (68.3)	19 (31.7)	43 (71.7)	17 (28.3)

a, b, c, d (significantly different at level  $p < 0.05$ ), PP=2 mL Estrumate on days 0 and 11; PGP=2mL Estrumate on days 0 and 11, 100 ug GnRH on day 3, PGP=2mL Estrumate on days 0 and 11; 100 ug GnRH on day 3, PGPE-0=2mL Estrumate on days 0 and 11, 100 ug GnRH on day 3, 1 mg ECP on day 11 (at 2nd PGF2 $\alpha$  dose), PGPE-1=2mL Estrumate on days 0 and 11, 100 ug GnRH on day 3, 1 mg ECP on day 12 (one day after PGF2 $\alpha$ )

Table 2: Submission, conception and pregnancy rates for cows treated with four synchronization protocols

Treatment Design <sup>a</sup>	No.	Reproductive parameters		
		Submission rate (%) <sup>b</sup>	Conception rate (%) <sup>c</sup>	Pregnancy rate (%) <sup>d</sup>
PP	14	9 (64.3)	5 (35.7)	3 (21.4)
PGP	14	9 (64.3)	5 (35.7)	4 (28.6)
PGPE-0	16	12 (75)	7 (43.8)	6 (37.5)
PGPE-1	16	13 (81.3)	9 (56.3)	8 (50)

a, b, c, d (significantly different at level  $p < 0.05$ ), PP=2 mL Estrumate on days 0 and 11; PGP=2mL Estrumate on days 0 and 11, 100 ug GnRH on day 3, PGP=2mL Estrumate on days 0 and 11; 100 ug GnRH on day 3, PGPE-0=2mL Estrumate on days 0 and 11, 100 ug GnRH on day 3, 1 mg ECP on day 11 (at 2nd PGF2 $\alpha$  dose), PGPE-1=2mL Estrumate on days 0 and 11, 100 ug GnRH on day 3, 1 mg ECP on day 12 (one day after PGF2 $\alpha$ )

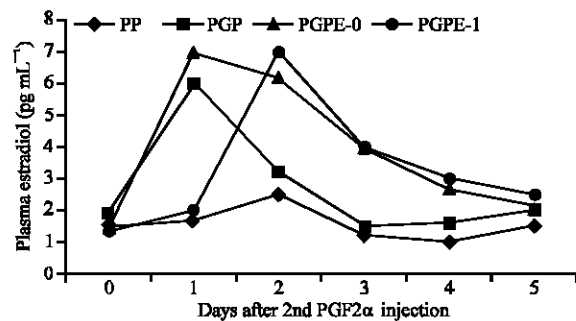


Fig. 2: Plasma estradiol concentrations (Least square means, SEM) after the 2nd PGF2 $\alpha$  injection for cows treated with PP (n=14), PGP (n=14), PGPE-0 (n=16) and PGPE-1 (n=16). There was a treatment by day interaction ( $p < 0.001$ )

After the 2nd PGF2 $\alpha$  injection, ovulation was defined as low P4 ( $< 0.5$  ng mL $^{-1}$ ) on day 13 and high P4 ( $= 0.5$  ng mL $^{-1}$ ) on day 24. Cows not ovulated may had high P4 on day 13 and 24, low P4 on day 13 and 24, or high P4 on day 13 and low P4 on day 24. The development of accessory corpus luteum in the presence of a functional corpora lutea could not be determined because ovulation was based mainly on P4 concentration.

At the time of 2nd PGF2 $\alpha$  injection, the size of mature follicle was similar for all treatments after the ultrasound scanning. However, for cows treated with ECP (PGPE-0 and PGPE-1), mature follicles also determined within 3 days after 2nd PGF2 $\alpha$  injection ( $p < 0.05$ ). Addition of ECP to the PGP treatment increased the percentage of cows ovulating (50 and 71.4% for PP and PGP vs 75.0 and 87.5% for PGPE-0 and PGPE-1;  $p < 0.05$ ; Table 1). Thus, the percentage of ovulations for PGPE-0 and PGPE-1 treated cows tended to be higher compared to the other treated cows. Interval to oestrus and interval to ovulation were similar for all treatments ( $55 \pm 5$  and  $91 \pm 7$  h, respectively). For those cows that ovulated, the actual days of ovulation after 2nd PGF2 $\alpha$  injection were 3, 4 and 4 days for PGP; 3, 3, 4, 4, 4 and 5 days for PGPE-0 and 3, 4, 4, 4, 4 and 4 days for PGPE-1 treatments.

Treatment with ECP also increased plasma estradiol concentration after 2nd PGF2 $\alpha$  injection (Fig. 2;  $p < 0.05$ ). Plasma estradiol concentrations were the greatest at 1 and 2 days after 2nd PGF2 $\alpha$  injection for PGPE-0 and PGPE-1 treated cows, respectively. In each case, the peak level of estradiol occurred one day after ECP injection. However, cows treated with ECP (PGPE-0 and PGPE-1) had a higher peak preovulatory concentrations of estradiol in plasma ( $6.3 \pm 0.43$  and  $6.99 \pm 0.63$  pg mL $^{-1}$ ;  $p < 0.01$ ) following 2nd PGF2 $\alpha$  injection.

A total of 31 of 60 cows (51.6%) were classified as anoestrus at the start of the trial (plasma P4  $< 0.5$  ng mL $^{-1}$  on days -8, 0 and 3). The percentage of cows that developed a corpus luteum (hereafter referred to as ovulation) after 1st PGF2 $\alpha$  injection was greater when cows received GnRH (75 and 81.2%; for PGPE-0 and PGPE-1 versus 50 and 64.3% for PP and PGP;  $p < 0.001$ ). A higher percentage of ECP treated cows were observed in standing oestrus and ovulated after 2nd PGF2 $\alpha$  injection and; 75 and 87.5%;  $p < 0.05$  for PGPE-0 and PGPE-1 vs 50% and 71.4% for PP and PGP treated cows, respectively.

Plasma estradiol concentrations were similar across treatments at the time of 2nd PGF2 $\alpha$  injection. However, 2 days after 2nd PGF2 $\alpha$ , plasma estradiol concentrations were greater in cows that received ECP compared to PP or PGP ( $p < 0.001$ ; Fig. 2). The percentage of cows that ovulated (subsequently developed a corpus luteum) after 2nd PGF2 $\alpha$  injection was the greatest with ECP groups than the others ( $p < 0.05$ ).

Submission rates (number of inseminated cows/total  $\times 100$ ), the conception and pregnancy rates was observed to be higher with the ECP treated cows than the other treatments (Table 2).

## DISCUSSION

An estrus synchronization protocol (termed PGP) similar to 7-11 synch (Kojima *et al.*, 2000; Kanitz *et al.*, 2006) but without Melongesterol acetate was developed.

The protocol consists of a PGF2 $\alpha$  injection followed 3 days later by a GnRH injection and another PGF2 $\alpha$  injection 8 days after the GnRH. The protocol is similar to the original PGF2 $\alpha$  protocol consisting of 2 injections of PGF2 $\alpha$  11 days apart (Lucy *et al.*, 1986; Sterry *et al.*, 2007; Bicalho *et al.*, 2007), but includes an injection of GnRH 3 days after the first PGF2 $\alpha$  injection. The GnRH provides a two-fold advantages. First, it forces a timely ovulation of the dominant follicle after 1st PGF2 $\alpha$  injection (Thatcher and Chenault, 1976). The timed ovulation prevents late ovulations that would potentially result in an immature and unresponsive corpus luteum at the time of 2nd PGF2 $\alpha$  injection. Second, the GnRH forces a percentage of anoestrus cows to ovulate (Britt *et al.*, 1974) and induces cyclicity in cows that would otherwise not respond to PGF2 $\alpha$ . The advantage of PGP was examined in the present experiments. In each case, the number of cows that ovulated after 1st PGF2 $\alpha$  injection was increased. For example, the percentage of cows that ovulated after 1st PGF2 $\alpha$  injection developed when GnRH was given on day 3 (PGP and PGPE-1 compared to PP).

In the present study, the cows treated with PGP had mature follicles that were larger at the time of 2nd PGF2 $\alpha$  injection. However, 2 days later, follicles were similar in size because the mature follicles of PP-treated cows continued to grow, whereas those of PGP-treated cows remained the same size. Treatment with GnRH appears to produce a more mature follicles at the time of 2nd PGF2 $\alpha$  injection; supported by the fact that both PGP and PGPE-1-treated cows were in estrus before PP-treated cows. Luteal and follicular maturity may be an advantage of the PGP protocol over traditional GnRH- PGF2 $\alpha$  protocols. The extra day between the GnRH and PGF2 $\alpha$  injection (8 days for PGP versus 7 days for traditional protocols) may place more cows in diestrus (being responsive to PGF2 $\alpha$ ) and more mature follicle may lead to a more functional CL upon ovulation (Vasconcelos *et al.*, 2001; Kanitz *et al.*, 2006; Sterry *et al.*, 2007).

Addition of ECP increased the number of cows that ovulated after 2nd PGF2 $\alpha$  injection (Table 1) and improved the percentage of cows in standing estrus. Both responses were associated with increased plasma estradiol concentrations after 2nd PGF2 $\alpha$  injection. Although plasma estradiol concentrations were elevated, they were within physiological ranges and there were no incidences of false estrus (behavioral estrus without ovulation). Addition of oestradiol to PGP protocol also had the unexpected effect of increasing follicular growth. The suppressive effect of estrogens on follicular development is well documented (Bo *et al.*, 1994; Burke *et al.*, 2000; Martinez *et al.*, 2002) but stimulatory effects on preovulatory follicular growth have not been reported in cattle (Burke *et al.*, 2000). It appears that exogenous estradiol stimulated some aspects of dominant follicular growth but the exact mechanism is not known.

One major goal for any new estrus synchronization protocol should be the implementation of timed AI. The interval to ovulation and interval to estrus were examined in this study. The results were promising, as a higher percentage of GnRH-treated cows ovulated after 1st PGF2 $\alpha$  injection (64.3 vs 50%;  $p < 0.05$ ). The GnRH-treated cows tended to have a larger mature follicle present at 2nd PGF2 $\alpha$  injection. The percentage of cows that ovulated after 2nd PGF2 $\alpha$  injection was 71.4 vs 50% for GnRH-treated cows than none treated ones, respectively. Cows treated with PGP had higher peak preovulatory concentrations of estradiol in plasma compared to PP treated cows ( $3.2 \pm 0.48$  vs  $2.6 \pm 0.45$  pg mL $^{-1}$ ; following 2nd PGF2 $\alpha$  injection. Cows treated with ECP (PGPE-0 and PGPE-1) had a significant higher peak preovulatory concentrations of estradiol ( $6.3 \pm 0.43$  and  $6.99 \pm 0.63$  pg mL $^{-1}$ ) and a significant higher percentage ovulation (75.0 and 87.5%) than the other treated groups (PP or PGP). The PGP protocols are similar to the other GnRH-PGF2 $\alpha$  protocols because GnRH and PGF2 $\alpha$  are given in a series. The primary difference is that PGF2 $\alpha$  is given before 1st GnRH injection. The first injection of PGF2 $\alpha$  causes corpus luteum regression so that most cows are on day 8 of the estrus cycle when 2nd PGF2 $\alpha$  dose is injected. In late luteal phase, cows treated with GnRH and PGF2 $\alpha$  at a 7 day interval tend to exhibit estrus around the time of PGF2 $\alpha$  injection; i.e. before the time when most cows are in estrus, 2-3 days after PGF2 $\alpha$  (Vasconcelos *et al.*, 1999; Dejamette *et al.*, 2001). The present study did not compare PGP to GnRH and PGF2 $\alpha$  given at a 7 day interval but with one day more (8 days). Nevertheless, estrus was not observed before 2nd PGF2 $\alpha$  injection in PGP cows. The possibility that relative to GnRH and PGF2 $\alpha$ -alone, PGP increases the percentage of cows in estrus 2-3 days after the last PGF2 $\alpha$  injection should be tested in larger experiment.

GnRH is an obvious substitution for ECP in the PGPE-1 protocol. The GnRH would be given 48 h after 2nd PGF2 $\alpha$  injection but the timing of other injections would be similar (PGF2 $\alpha$  day 0, GnRH day 3, PGF2 $\alpha$  day 11, GnRH day 13; PGP protocol). In a previous study, the PGP protocol was tested in 45 postpartum dairy cows and 93% of the cows ovulated on day 14 (Sterry *et al.*, 2007). Thus, the PGP protocol may be an alternative to PGPE-1 that is highly suited for timed AI.

## CONCLUSION

From this study, we can conclude that PGP protocol increased the number of ovulated cows after 1st PGF2 $\alpha$  injection and produced more mature follicles at the time of

2nd PGF2 $\alpha$  injection. Adding ECP to PGP (especially PGPE-1) enhanced the expression of estrus and increased ovulation percentage. Thus, a combination of PGP and ECP is potentially a new method to routinely synchronize estrus and ovulation in dairy cows.

## REFERENCES

- Bicalho, R.C., S.H. Cheong, L.D. Warnick and C.L. Guard, 2007. Evaluation of progesterone supplementation in a prostaglandin F2- $\alpha$ -based presynchronization protocol before timed insemination. *J. Dairy Sci.*, 90: 1193-1200.
- Bo, G.A., G.P. Adams, R.A. Pierson, H.E. Tribulo, M. Caccia and R.J. Mapletoft, 1994. Follicular wave dynamics after estradiol-17 B treatment of heifers with or without a progesterone implant. *Theriogenology*, 41: 1555-1569.
- Britt, J.H., 1979. Prospects for controlling reproductive processes in cattle, sheep and swine from recent findings in reproduction. *J. Dairy Sci.*, 62: 651-665.
- Britt, J.H., R. Kittok and D.S. Harrison, 1974. Ovulation, oestrus and endocrine response after GnRH in early postpartum cows. *J. Anim. Sci.*, 39: 915-919.
- Burke, C.R., M.P. Boland and K.L. Macmillan, 1999. Ovarian responses to progesterone and oestradiol benzoate administered intravaginally during dioestrus in cattle. *Anim. Reprod. Sci.*, 55: 23-33.
- Burke, C.R., M.L. Day, C.R. Bunt and K.L. Macmillan, 2000. Use of a small dose of estradiol during dioestrus to synchronize development of the ovulatory follicle in cattle. *J. Anim. Sci.*, 78: 145-151.
- Burke, J.M., R.L. de La Sota, C.A. Risco, C.R. Staples, E.J. Schmitt and W.W. Thatcher, 1996. Evaluation of timed insemination using a gonadotropin-releasing hormone agonist in lactating dairy cows. *J. Dairy Sci.*, 79: 1385-1393.
- Dejamette, J.M., R.R. Solverson and C.E. Marshall, 2001. Incidence of premature oestrus in lactating dairy cows and conception rates to standing oestrus or fixed-time insemination after synchronization using GnRH and PGF2 $\alpha$ . *Anim. Reprod. Sci.*, 67: 27-35.
- Kanitz, W., S. Bhojwani, F. Becker and F. Schneider, 2006. Follicle dynamics and characteristics of ovulation in heifers after ovsynch treatment in the last third of the oestrus cycle. *Berl Munch Tierarztl Wochenschr.*, 119: 512-515.
- Kirby, C.J., M.F. Smith, D.H. Keisler and M.C. Lucy, 1997. Follicular function in lactating dairy cows treated with sustained-release bovine somatotropin. *J. Dairy Sci.*, 80: 273-285.

- Kojima, F.N., B.E. Salfen, J.P. Bader, W.H. Ricke, M.C. Lucy, M.K. Smith and D.J. Patterson, 2000. Development of an oestrus synchronization protocol for beef cattle with short-term feeding of melengesterol acetate, 7-11 synch. *J. Anim. Sci.*, 78: 2186-2191.
- Larson, L.L. and P.J. Ball, 1992. Regulation of oestrus cycles in dairy cattle: A review. *Theriogenology*, 38: 255-267.
- Lauderdale, J.W., B.E. Seguin, J.N. Stellflug, J.R. Chenault, W.W. Thatcher, C.K. Vincent and A.F. Loyancano, 1974. Fertility of cattle following PGF2 $\alpha$  injection. *J. Anim. Sci.*, 38: 964-967.
- Lopes, F.L., D.R. Arnold, J. Williams, S.M. Pancarci, M.J. Thatcher, M. Droset and W.W. Thatcher, 2000. Use of estradiol cypionate for timed insemination. *J. Anim. Sci. (Abstract)*, 78: 216.
- Lucy, M.C., J.S. Stevenson and E.P. Call, 1986. Controlling first service and calving interval by PGF2 $\alpha$ , GnRH and timed insemination. *J. Dairy Sci.*, 69: 2186-2194.
- Martinez, M.F., M.G. Colazo, J.P. Kastelic and R.J. Mapletoft, 2002. Effects of estradiol-17B or estradiol benzoate on follicular dynamic in CIDR-b treated beef heifers. *Theriogenology (Abstract)*, 57: 382.
- Pancarci, S.M., R.E. Jordan, C.A. Risco, M.J. Schouten, F.L. Lopes, F. Moreira and W.W. Thatcher, 2002. Use of estradiol cypionate in a pre synchronized timed artificial insemination program for lactating dairy cattle. *J. Dairy Sci.*, 85: 122-131.
- Pursley, J.R., M.O. Mee and M.C. Wiltbank, 1995. Synchronization of ovulation in dairy cows using PGF2 $\alpha$  and GnRH. *Theriogenology*, 44: 915-923.
- Pursley, J.R., M.C. Wiltbank, J.S. Stevenson, J.S. Ottobre, H.A. Garverick and L.L. Anderson, 1997. Pregnancy rates in cows and heifers inseminated at a synchronized ovulation or synchronized estrus. *J. Dairy Sci.*, 80: 295-300.
- SAS, 1996. SAS system (Release 6.12). SAS Institute Inc., Cary, N.C.
- Schmitt, E.J., T. Diaz, M. Drost and W.W. Thatcher, 1996. Use of a gonadotropin-releasing hormone agonist or hCG for timed insemination in cattle. *J. Anim. Sci.*, 74: 1084-1091.
- Sterry, R.A., P.W. Jardon and P.M. Fricke, 2007. Effect of timing of Cosynch on fertility of lactating Holstein cows after first postpartum and Resynch timed-AI services. *Theriogenology (Abstract)*, pp: 27.
- Thatcher, W.W., 2001. Current concepts for oestrus synchronization and timed insemination. In proceedings of the 34th Annual Convention of the American association of Bovine Practitioners, Vol. 34, Vancouver, Canada, pp: 59-105.
- Thatcher, W.W. and J.R. Chenault, 1976. Reproductive physiological responses of cattle to exogenous PGF2 $\alpha$ . *J. Dairy Sci.*, 59: 1366-1375.
- Vasconcelos, J.I., R. Sartori, H.N. Oliveria, J.G. Guenther and M.C. Wiltbank, 2001. Reduction in size of the ovulatory follicle reduces subsequent luteal size and pregnancy rates. *Theriogenology*, 56: 307-314.
- Vasconcelos, J.I., R.W. Silcox, G.J. Rosa, J.R. Pursley and M.C. Wiltbank, 1999. Synchronization rate, size of the ovulatory follicle and pregnancy rate after synchronization of ovulation beginning on different days of the oestrus cycle in lactating dairy cows. *Theriogenology*, 52: 1067-1078.
- Wolfenson, D., W.W. Thatcher, J.D. Savio, L. Badinga and M.C. Lucy, 1994. The effect of a GnRH analogue on the dynamics of follicular development and synchronization of oestrus in lactating dairy cows. *Theriogenology* 42: 633-644.
- Xu, Z.Z., I.J. Burton and K.I. Macmillan, 1997. Reproductive performance of lactating dairy cows following oestrus synchronization with PGF2 $\alpha$  and progesterone. *Theriogenology*, 47: 687-701.