

## Constructive Method For Electrical Power System Reconfiguration Using Ant Colony Algorithm

<sup>1</sup>A. Zebalah, <sup>1</sup>E. Chatelet, <sup>1</sup>M. Samrout and <sup>2</sup>H. Hamdaoui

<sup>1</sup>LM2S Laboratory of UTT University, University of Troyes, France

<sup>2</sup>Department of Electrical Engineering, University of Sidi Bel Abbes, BP 89 Sidi Jilali, Algeria

**Abstract:** This electric power distribution system delivers power to the customers from a set of distribution substations. While, the transmission lines are configured in a meshed network, the distribution feeders are configured radially in almost all cases. The proposed problem in this research is to determine the optimal topology among a various alternatives. This problem is known as a problem of total investment-cost minimization, subject to power constraints. In fact, the study addresses an ant colony met-heuristic optimization method to solve this combinatorial problem. Due to the variation of demand the reconfiguration may be considered in 2 different situations. First, in the system planning or system design stage. The proposed met-heuristic determines the minimal investment-cost system configuration during the considered study period to satisfy power transit constraints. The Ant Colony Approach Algorithm (ACA) is required to identify the optimal combination of adding or cut off feeders with different parameters for the new topology design.

**Key words:** Ant colony algorithm, alternative, optimization, topology, design

### INTRODUCTION

The electric power distribution system usually operates in a radial configuration, with tie switches between circuits to provide alternate feeds. The costs of losses would be minimized if all switches were closed and there are no loops., but this is not done because it complicates the system's protection against overcurrents. Whenever a component fails, some of the switches must be operated to restore power to as many customers as possible. As loads vary with time, switch operations may reduce a costs of losses in the system. Both of these are applications for reconfiguration.

Reconfiguration is the process of operating on remote elements (switches) to change the circuit topology. In this case, the problem is combinatorial, which precludes algorithms that guarantee a global optimum. Most existing reconfiguration algorithms was devoted and classified into 2 categories. In the first, branch exchange, the system operates in a feasible radial configuration and the algorithm opens and closes candidate switches in pairs. In the second, loop cutting, the system is completely meshed and the algorithm opens candidate switches to reach a feasible radial configuration.

This study uses an ant colony algorithm to solve this problem. The idea of employing a colony of cooperating agents to solve combinatorial optimization problems was

recently proposed in Colorni *et al.* (1991). The ant colony approach has been successfully applied to the classical traveling salesman problem TSP Dorigo and Gambardella (1997a, b), to the quadratic assignment problem (Maniezzo and Colorni, 1999a, b) and to scheduling (Bauer *et al.*, 2000; Den Besten *et al.*, 2000). Ant colony shows very good results in each applied area. It has been recently adapted for the network design. The ant colony has algorithm also been adapted with success to other combinatorial optimization problems such as the vehicle routing problem (Bullnheimer *et al.*, 1997), telecommunication networks management (Di Caro and Dorigo, 1998), graph coloring (Costa and Hertz, 1997), constraint satisfaction (Schoofs and Naudts, 2000) and Hamiltonian graphs. The ant colony algorithm has not yet been used for the new reconfiguration design.

Last decade much works was devoted to network reconfiguration and optimization. Less effort has been expended to use an heuristic or meta-heuristic algorithms to replace the combinatorial one. Among theses algorithm:

- Simulated annealing is not a reconfiguration algorithm by itself, but is a modification to some other basic algorithm (Williams and Walden, 1994). Its purpose is to avoid being trapped in local minima, by not always taking the best choice at each step.

Under simulated annealing, a random choice is accepted with a probability that decreases exponentially with each iteration. Simulated annealing has more potential to find the global optimum, though this can't be proven. It is readily applied on decision tree or branch exchange methods, by adding an extra outer loop to the basic algorithm.

- Genetic algorithms have become very popular as a method of finding global optimums. As applied to reconfiguration (Aoki *et al.*, 1989), the switch states are encoded in strings of 0/1 "chromosomes" and a population of, for example, 50 topologies is built at random. At each iteration, two parent topologies are selected at random for crossbreeding, which is a process of combining the chromosomes according to some defined algorithm. Then mutation, a random alteration of some chromosomes, may occur with a certain probability. If the resulting child is better, it replaces an existing topology in the population of 50. This process of crossbreeding continues for a number of iterations. The population also has to be re-seeded periodically with random strings to avoid.
- Neural networks have been applied to recognize a load pattern from feeder measurements and other data, then select a pre-analyzed topology and switching strategy to reconfigure the network for loss reduction (Hayashi *et al.*, 1996). It's necessary to discretize load levels and combine similar topologies, otherwise the training sets become too large. The neural network serves as a state estimator but doesn't analyze the topologies, so this method is not really applicable to the problem statement.
- Discrete ascent optimal programming (DAOP) has been applied to optimal load flow and phase balancing for distribution systems.

**Approach and outlines:** As the problem formulated in this study is a complicated combinatorial optimization one, an exhaustive examination of all possible solutions is not realistic considering reasonable time limitations. Because of this, the ACA will be adapted to the reconfiguration problem to find optimal or nearly optimal solutions to be obtained in a short time. It was proven that the newer developed meta-heuristic method has the advantage to solve the problem without the limitation. Ant colony algorithm is inspired by the behavior of real ant colonies that exhibit the highly structured behavior. Ants lay down in some quantity an aromatic substance, known as pheromone, in their way to food. An ant chooses a specific path in correlation with the intensity of the pheromone. The pheromone trail evaporates over time if no more pheromone is laid down by others ants,

therefore the best path has more intensive pheromone and higher probability to be chosen. During the optimization process, artificial ants will be used to evaluate the shortest paths of a given electrical structure system. To do this, a fast procedure of optimization is developed.

### PROBLEM FORMULATION

The reconfiguration problem is very important in power industry. It is a well known combinatorial optimization problem where the design goal is achieved by discrete remote on opening and closed switches lines. In this study, the problem is to find the minimal cost configuration of electrical network system under power transit constraints. The electrical network structure is sketched in Fig. 1. The system consist of mached lines of n lines and switches (sw) (i = 1, 2, ..., n) in loop arrangement.

Find the merit system configuration that provides the minimal total cost under power transit constraint. This problem can be started as below:

Minimize

$$\mathfrak{R} \sum_{i=1}^n \sum_{j=1}^m I_{ij} L_{ij} \oplus \mathfrak{S} \sum_{i=1}^n \sum_{j=1}^m L_{ij} \quad (1)$$

Subject to,

$$\sum_{i=1}^n \sum_{j=1}^m P \leq P_0 \quad (2)$$

$\mathfrak{R}$  : Investment component function of line length (\$ Km<sup>-1</sup>).

$\mathfrak{S}$  : Investment component function of line section (\$ Km mm<sup>-2</sup>).

$I_{ij}$  : Currant transit from node i to node j (Ampere).

n : Total nodes of electrical network.

$m_i$  : Number of nodes connected to node i.

$L_{ij}$  : The length of the bows (i, j) (Km).

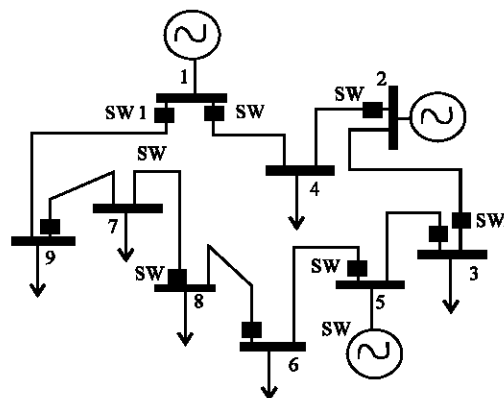


Fig. 1: Electrical topology

And we define separately the power losses cost and the line investment cost by:

$$C_1 = \Re \sum_{i=1}^n \sum_{j=1}^{m_i} I_{ij} L_{ij} \quad (3)$$

And

$$C_2 = \Im \sum_{i=1}^n \sum_{j=1}^{m_i} L_{ij} \quad (4)$$

$C^1$  : Represents power losses cost.

$C^2$  : Represents line investment cost.

Then the determination of the merit configuration of the meshed network is also expressed by determining the flow of currents  $I_{ij}$  in a manner such as the conventional cost of the network is:

$$C_T(i, j) = \sum_i^n \sum_j^{m_i} (\Re I_{ij} L_{ij} \oplus \Im L_{ij}) \quad (5)$$

### LOAD CHARACTERISTICS

Loads vary with time of day, day of the week and season. Each type of load (residential, commercial, industrial) has a different time profile and each feeder serves a different mix of loads. Therefore, the load pattern on each feeder varies constantly and with a different variation on each feeder. This creates an opportunity to constantly keep losses at a minimum by reconfiguring the feeders during the day. Automatic switches and control systems must be installed to perform this distribution automation, at a cost that must be balanced against the savings in losses. The distribution system should be operated at minimum cost, subject to a number of constraints:

- Power Transit.
- All loads are served.
- Over-current protective devices are coordinated.
- Lines, transformers and other equipment within current capacity limits.
- Voltage drop within limits.

### ANT COLONY OPTIMIZATION APPROACH

The problem formulated in this study is a complicated combinatorial optimization problem. The total number of different solutions to be examined is very large, even for rather small problems. An exhaustive examination of the enormous number of possible solutions is not feasible given reasonable time limitations. Thus, because of the search space size of the problem, a meta-heuristic can be

developed. This meta-heuristic uses the ant colony optimization method. The research by Dorigo *et al.* (1996) presents examples of applications of this meta-heuristic to various combinatorial optimization problems. The ant colony can be seen as a simulation of a set of agents that cooperate to find a solution of an optimization problem by means of uncomplicated communications. The inspiration was taken from observation of the behavior of real ants. Ants are social insects living in colonies. Ants can cooperate effectively to make some tasks. For instance, almost blind ants can find the shortest route paths from their colony to feeding sources and back. It was observed that a moving ant deposits some pheromone (in variable quantities) on the ground, hence marking the path it follows. Next ants moving towards the feeding area can identify the pheromone left by the previous ant, decide with high probability to follow it and reinforce the select trail with its own pheromone. This form of indirect communication mediated by pheromone lying is called stigmergy. Ants make use of pheromone in order to find a shortest path between 2 points connected with two branches. Since, there is no pheromone, ants decide randomly which path to choose. Therefore, more pheromone deposited on the lower path new ants chooses this path more willingly. This important feature of real ants' behavior is called autocatalytic mechanism. To coupling between autocatalytic mechanism and the implicit evaluation of solution can be used in ant algorithm. It means that the more ants follow a trail, the more attractive that trail becomes for being followed. The probability with which an ant decides on a path increase with the number of ants that earlier used the same path.

### THE ANT COLONY ALGORITHM

**Step 1.** Initialize:

Set  $t = 0$  { $t$  is the time counter},

For every path  $(i, j)$  set an initial value  $\tau_{ij}(t)$  and set  $\Delta\tau_{ij}(t, t+n) = 0$ ,

Place  $b_i(t)$  ants on every bus  $i$  { $b_i(t)$  is the number of ants on bus  $i$  at time  $t$ },

Set  $s = 1$  { $s$  is the tabu list index}

For  $i = 1$  to  $n$  do

For  $k = 1$  to  $b_i(t)$  do

$\text{tabu}_k(s) = i$  {starting bus is the first element of the tabu list of the  $k$ -th ant}.

**Step 2.** Repeat until tabu list is full {this step will be repeated  $(n-1)$  times}

2.0. Set  $s = s + 1$

2.1. For  $i = 1$  to  $n$  do {for every bus}

For  $k = 1$  to  $b_i(t)$  do {for every  $k$ -th ant on bus  $i$  still not moved}

Choose the bus  $j$  to move to, with probability  $p_{ij}(t)$ .

$$p_{ij}(t) = \begin{cases} \frac{[\tau_{ij}]^\alpha [\eta_{ij}]^\beta}{\sum_{m \in AC_i} [\tau_{im}]^\alpha [\eta_{im}]^\beta} & \text{if } j \in AC_i \\ 0 & \text{otherwise} \end{cases}$$

Move the k-th ant to j {this instruction creates the new values  $b_j(t+1)$ }  
 Insert bus j in  $tabu_k(s)$ .

**Step 3.** For k:=1 to m do {for every ant}  
 Compute  $L^k$  {it results from the tabu list}  
 For s:= 1 to n-1 do {scan the tabu list of the k-th ant}  
 Set  $(h,l)=(tabu_k(s),tabu_k(s+1))$   
 {[h, l] is the edge connecting bus s and s+1 in the tabu list of ant k}

$$\Delta\tau_{h,l}(t+n) := \Delta\tau_{h,l}(t+n) + \frac{Q}{L^k}$$

$L^k$ : Represent the length crossed by the K-th ant.  
 $Q$ : Represent the amount of pheromone laid by the K-th ant.

**Step 4.** For every edge (i,j) compute  $\tau_{ij}(t+n)$  according to equation (1)  
 Set  $t:=t+n$

For every path (i,j) set  $\Delta\tau_{ij}(t,t+n)=0$ .

**Step 5.** Memorize the shortest path found up to now  
 If  $(NC < NC_{MAX})$  or (not all the ants choose the same tour) {NC is the number of algorithm cycles;

in NC cycles are tested  $NC \cdot m$  tours}

then

Empty all tabu lists

Set s:=1

For i:=1 to n do

For k:=1 to b i(t) do

$tabu_k(s):=i$  {after a tour the k-th ant is again in the initial position}

Goto step 2

else

Print shortest tour and Stop.

### ILLUSTRATIVE EXAMPLE

The implantation is chosen on real network Algerian national network, made by 10 generating stations and 20 consumer nodes as sketched in Fig. 2, the distribution

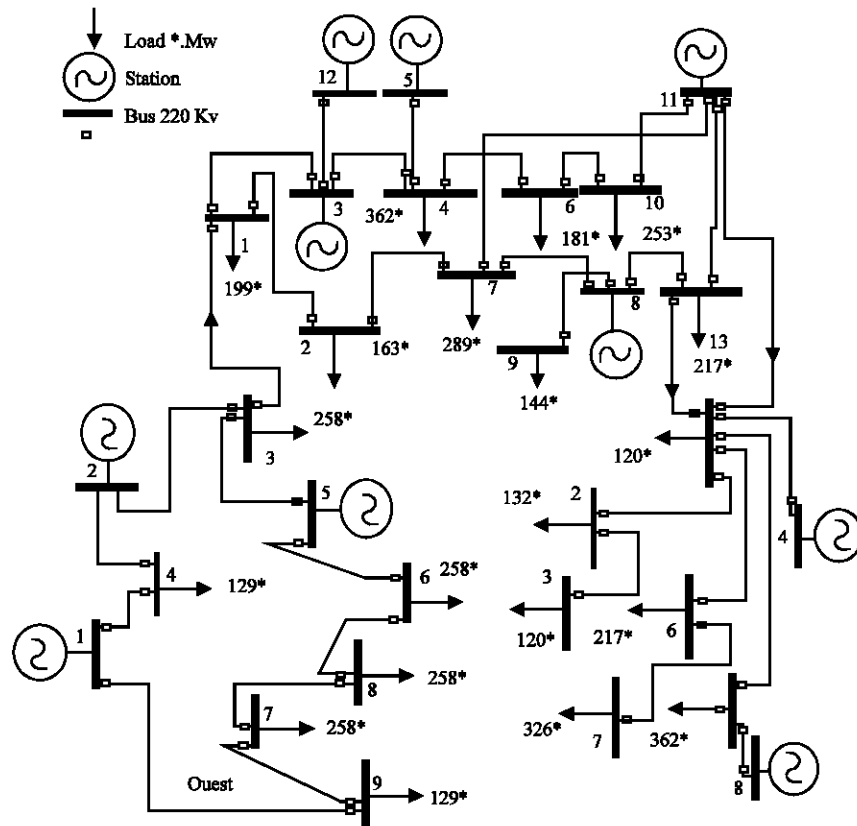


Fig. 2: Meshed electrical topology

Table 1: Optimal solution given by ant colony algorithm

Total alternatives number	Switches states	Candidate lines	Topology Cost M\$	Power transit GW
232				
Step N°1: N° 49	On	27-28	0.283	10
Step N°1: N° 78	Off	23-26	0.331	12.4
Step N°1: N° 78	Off	23-26	0.341	12.56

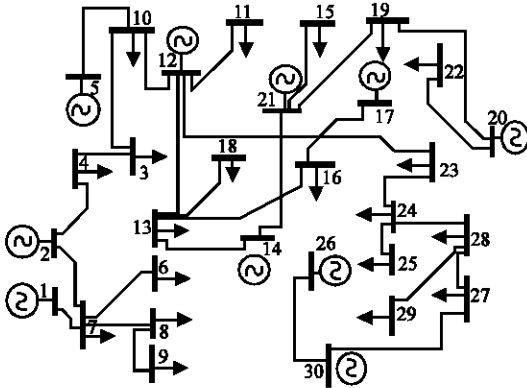


Fig. 3: Meshed electrical topology

system with 10 sources and several switching devices. Swi. At the initial state all the switches are closed and the system is operating in loop configuration.

According to, the results obtained by simulation the main tree is an open configuration. The algorithm find 232 alternatives. Among these alternatives, the choice of the optimal solution is made only by closing the switch  $SW_{27-28}$  in step N°49 and opening the switches  $SW_{23-26}$  in step N° 78. The Fig. 2 and 3 illustrate the merit configurations.

For these alternatives the minimal cost is represented in Table 1 with corresponding power transit. In this research, we represent the merit configuration for this electrical network.

### CONCLUSION

This algorithm differs from most others, by constructing the system from scratch, rather than performing switch exchanges or sequential switch openings. An approximate loss formula helps to quickly screen candidate switch closings, but this method still performs more load flow calculations than other methods. Most of the load flow calculations only work with a subset of the system. The algorithm can solve either load restoration or loss minimization problems. Several test cases show that this algorithm reaches the same optimal solutions found by other Investigators. The execution time is not longer, but constraints and control actions are handled more accurately. The study reported here builds on the linearized algorithm. The original contributions of this study, not previously reported, are:

- The reconfiguration algorithm considers control action and other nonlinear effects during the solution, not after the optimal configuration has been found. This affects both the loss evaluation and the feasible switching operations.
- Approximate loss formulas were developed in chapter 2 to screen candidate switching operations, making use of partial load flow solutions. After a candidate switch has been selected, the algorithm updates the complete load flow solution. In all test cases evaluated, screening with the approximate loss formulas produced the same solution as screening with full load flow solutions.
- The heuristic backtracking method presented in this work solving one of the problems encountered in Algerian electrical network.
- The network load flow solution provides a lower bound on the losses and a measure of how good the algorithm solution is. This would be a useful addition to other methods, since none can guarantee a global optimum.

The algorithm could include service reliability indices in the merit figure.

### ACKNOWLEDGMENT

The authors would like to thank the Laboratory of Interactions Networks and Machines (IRECOM) of the University of Djillali Liabes Sidi Bel-Abbes, the “Fonds de Recherche sur la Technologie” Algeria Ministry of Research and the laboratory of Electrical Network of USTO University of Technology and Sciences of Oran.

### REFERENCES

- Aoki, K., K. Nara, M. Itoh, T. Satoh and H. Kuwabara, 1989. A New Algorithm for Service Restoration in Distribution Systems. IEEE Transaction on Power Delivery, 4-3 July, pp: 1832-1839.
- Bauer, A., B. Bullheimer, R.F. Hartl and C. Strauss, 2000. Minimizing total tardiness on a single machine using ant colony optimization. Central Eur. J. Operat. Res., 8 (2): 125-141.
- Bullheimer, B., R.F. Hartl and C. Strauss, 1997. Applying the Ant System to the vehicle Routing problem. 2nd Metaheuristics International Conference (MIC-97), Sophia-Antipolis, France, pp: 21-24.
- Colomi, A., M. Dorigo and V. Maniezzo, 1991. Distributed Optimization by Ant Colonies, Proceeding of Ecal 91-European Conference on Artificial Life, Paris, France, Elsevier Publishing, pp: 134-142.

- Costa, D. and A. Hertz, 1997. Ants colour graphs. *J. Operat. Res. Soc.*, 48: 295-305.
- Den Besten, M., T. Stützle and M. Dorigo, 2000. Ant Colony Optimization for the Total Weighted Tardiness Problem. *Proceeding of the 6th International Conference on parallel problem Solving from nature (PPSNVI), LNCS 2000, Berlin*, pp: 611-620.
- Di Caro, G. and M. Dorigo, 1998. Mobile Agents for Adaptive Routing. *Proceedings for the 31st Hawaii, International Conference System Sciences, Big Island of Hawaii*, pp: 74-83.
- Dorigo, M. and L.M. Gambardella, 1997b. Ant colonies for the travelling salesman problem. *Bio Syst.*, 43: 73-81.
- Dorigo, M. and L.M. Gambardella, 1997a. Ant colony system: A cooperative learning approach to the traveling salesman problem. *IEEE Trans. Evolutionary Comput.*, 1 (1): 53-66.
- Dorigo, M., V. Maniezzo and A. Colomi, 1996. The ant system: Optimization by a colony of cooperating agents. *IEEE Trans. Syst. Man and Cybernetics-Part B.*, 26 (1): 1-13.
- Hayashi, Y., S. Iwamoto, S. Furuya and C.C. Liu, 1996. Efficient Determination of Optimal Radial Power System Structure Using Hopfield Neural Network with Constrained Noise. *IEEE Transaction Power Delivery*, 11-3 July, pp: 1529-1535.
- Maniezzo, V. and A. Colomi, 1999a. The ant system applied to the quadratic assignment problem. *IEEE Trans. Knowledge and Data Eng.*, 11 (5): 769-778.
- Maniezzo, V. and A. Colomi, 1999b. The ant system applied to the quadratic assignment problem. *IEEE Trans. Knowledge and Data Eng.*, 11 (5): 769-778.
- Schoofs, L. and B. Naudts, 2000. Ant Colonies are Good at Solving Constraint Satisfaction Problem. *Proceeding of the 2000 Congress on Evolutionary Computation, San Diego, CA, July*, pp: 1190-1195.
- Williams, B.R. and D.G. Walden, 1994. Distribution Automation Strategy for the Future: Changing the Momentum. *IEEE Computer Applications in Power*, 7-3 July, pp: 16-21.