

## Follicular Status and Embryo Production in Ouled Djellal (Algeria) Ewes Breed Pretreated with a GnRH Agonist

<sup>1,2</sup>I. Gharbi, <sup>1</sup>M. Ferrouk, <sup>1</sup>A. Dechicha, <sup>3</sup>G. Baril, <sup>4</sup>J.F. Beckers and <sup>1</sup>D. Guetarni  
<sup>1</sup>Department of Veterinary Sciences, Faculty of Agronomic, Veterinary and Biology Sciences,  
University Saad Dahlab Blida, Algeria  
<sup>2</sup>Institute of Veterinary Sciences, University Centre of El Tarf, Algeria  
<sup>3</sup>INRA-UMR Reproductive Physiology and Behavior, 37380 Nouzilly, France  
<sup>4</sup>Physiology of Animal Reproduction, Faculty of Veterinary Medicine,  
University of Liege, B-4000 Sart Tilman, Belgium

**Abstract:** The objective of this study was to evaluate the effect of treatment with GnRH agonist (Buserelin) on ovarian follicular status, the response to super ovulation induction and *in vivo* embryo production in Ouled Djellal ewes breed. Twenty (n = 20) cycling ewes were allotted into two groups, the first (n = 10) received subcutaneously a daily injection of 40 µg buserelin for 14 days prior to superovulatory treatment (pretreated group) while the second group (n = 10) did not receive GnRH agonist before superovulatory treatment (control group). Before batching, the ovarian follicular population was assessed by laparoscopy numbering of the ovarian follicles. In the pretreated ewes a significant increase in small follicles (8.50±1.64 vs. 15.50±2.74, p<0.01) and a suppression of large follicles (≥4 mm) (4.3±0.76 vs. 0.0, p<0.001) was observed after treatment with Buserelin. In addition to the pretreated group, the number of small follicles prior to FSH treatment was higher and the number of large follicles smaller than the control group. The ovulatory response and the number of transferable embryos per ewe treated was significantly higher in ewes pretreated than in control ewes (ovulatory response: 17.8±1.56 vs. 9.1±1.11, p<0.001), (transferable embryos: 10.2±1.87 vs. 4.1±0.40, p<0.01). Compared to the pretreated group a higher percentage of degenerated embryos was recorded in the control group (control: 20.40 vs. 7.27 pretreated, p<0.05). Improving of the embryos production in Ouled Djellal sheep can then be obtained by using a treatment with GnRH agonist and ovarian preparation for superovulation induction in allowing the terminal follicular growth inhibition and increasing of small follicles number at the start of FSH treatment.

**Key words:** Treatment, pretreated, embryos, agonist, ovarian preparation, follicles

---

### INTRODUCTION

In Algeria, among the main local breeds with well defined standard, the Ouled Djellal breed, known for its rustic character its butcher vocation and its adaptation to pasture land is the numerically most important and the most economically interesting. Its total number of approximately about 11.340 heads represents >60% of the national sheep flock. However, nomadism and the traditional breeding techniques based on a limited knowledge and an anarchy in crossings between breeds, favors the disappearance of the genetic potential of the Ouled Djellal breed.

Facing this zoo-genetics resources degradation, the application of biotechnologies reproduction methods, particularly, the superovulation and the embryonic

transfer would be unavoidable for the implementation of the sheep's breed preservation programs. However, the variation of the ovarian response after superovulation gonadotrope induction treatment lives one of the factors limiting the embryo production yields (Bartlewski *et al.*, 2008).

In sheep, improvement of these yields has been reported when at ovary level, large dominant follicles are absent and small gonadotrope sensitive follicles are present in large numbers early in the beginning of FSH treatment (Brebion *et al.*, 1990; Gonzalez-Bulnes *et al.*, 2002a, 2005; Veiga-Lopez *et al.*, 2005). Recruitment and small antral follicles growth are under the main FSH monitoring while the large follicles dominance is established and maintained in the presence of high concentrations of LH (Campbell *et al.*, 1995; Adams,

1999). Production improvement of embryos would lead to low concentrations of gonadotropins by the use of antagonists (Cognie, 1999; Cognie *et al.*, 2003; Oussaid *et al.*, 1999; Gonzalez-Bulnes *et al.*, 2003; Lopez-Alonzo *et al.*, 2005a, b) or GnRH agonists in sheep (McNeilly and Fraser, 1987; Brebion and Cognie, 1989, 1992; Archa *et al.*, 2005) inhibiting the terminal growth of ovarian follicles (Dufour *et al.*, 2000) and resulting in the absence of large follicles (Campbell *et al.*, 1998) and the accumulation of small follicles prior to administration of exogenous FSH.

The objective of the present study was to evaluate the effect of pretreatment with a GnRH agonist (Buserelin) on the follicular status and *in vivo* embryo production in Ouled Djellal ewes.

### MATERIALS AND METHODS

**Animals and experiment setting:** This study was conducted during the breeding season, twenty cycled ewes of Ouled Djellal breed (03 primiparous and 17 multiparous) from 2-5 years old with a live weight between 40 and 62 kg and having given birth from at least 90 days.

The animals were reared at the experimental farm of Blida University located 50 km from Algiers (36°28'N Latitude and Longitude of 2°49'E) in a semi-intensive system (sheepfold) under a natural lighting and received water and hay *ad libitum* supplemented with 500 g of concentrate/animal/day. No female has previously received a superovulation treatment.

**Oestrus synchronization:** The oestrus synchronization was obtained by the insertion of an intravaginal progestagen sponge impregnated with 40 mg fluorogestone acetate (FGA, Chronogest®, Intervet, France) during 14 days to all ewes.

**Superovulation treatments:** From the ovarian status evaluated by counting large and small follicles with Laparoscopy Method, ewes were divided into two groups; a control group (n = 10) receiving the only FSHp and a pretreated group (n = 10) receiving an analogue of GnRH then FSHp.

The preparation of the ovary for the induction of the superovulation was realized by daily injection (subcutaneously) of 40 µg of GnRH agonist (Suprefact® Busereline 1 mg mL<sup>-1</sup>; Aventis pharma, Frankfurt) during 14 days to the ewes of the pretreated group.

The superovulation had been induced by administration of a total dose of 200 and 320 µg of porcine FSH (Reprobiol-Liege University, Belgium), respectively to the ewes of control and pretreated groups, divided in 6 and 8 twice-daily injections (12 h of interval) and decreasing during the last 3 and 4 days of progestagen treatment with addition of 60 and 90 µg of porcine LH during the two last injections (Fig. 1).

The choice of the FSH p doses used is justified by the fact that there is an effect dose-response of the FSHp (Gordon, 1997) with effective doses included between 160 and 210 mg (Brebion *et al.*, 1992; Gonzalez *et al.*, 2001) and that high FSHp doses provoked a decrease of the embryo production (Smith, 1984; Torres *et al.*, 1987; Lucero and

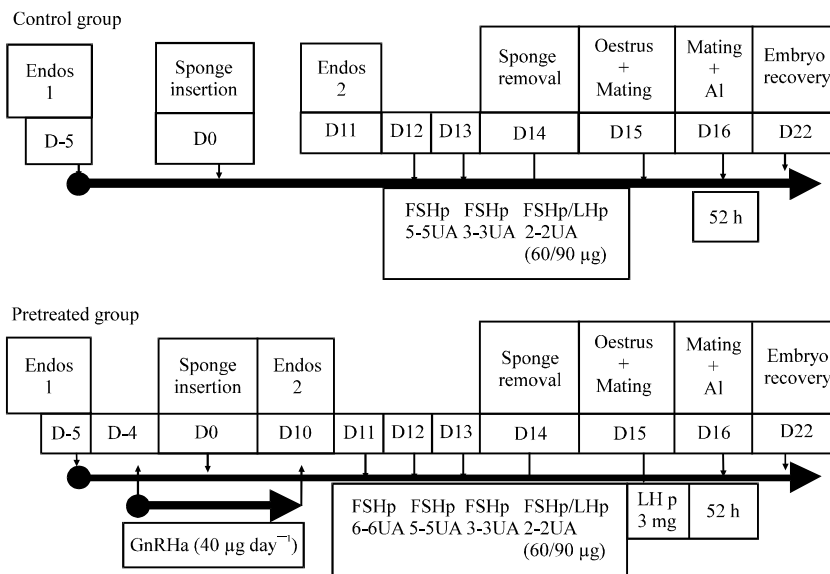


Fig. 1: Treatment protocols (control group vs. pretreated group) used for the embryo production in Ouled Djellal ewes breed (Endos: Endoscopy, AI: Artificial Insemination)

Rutelle, 1990; Naqvi and Gulyani, 1998) in control group on one hand and a depressive effect on FSH secretion related to the pretreatment; imposing the use of high FSHp doses (Brebion *et al.*, 1992; Briois *et al.*, 1992; Dufour *et al.*, 2000; Cognie *et al.*, 2003) in ewes pretreated with GnRH agonist on the other hand.

Because of pretreatment suppress endogenous LH peak (Picton *et al.*, 1990; Briois *et al.*, 1992; Cognie *et al.*, 2003) the ovulation was induced by intravenous injection of 3 mg porcine LH (Reprobiol-Liege University, Belgium) 32 h after the withdrawal of vaginal sponge in pretreated ewes.

**Assessment of ovarian follicular status:** The follicular status was assessed before treatment GnRH and FSH by counting ovarian follicles by Laparoscopy Method according to the method described by Brebion and Cognie (1989), Noel *et al.* (1993) and Bister *et al.* (1999). Follicles were classified according to their size: small (2-3 mm) and large (medium-follicle (4-5 mm) and largest-follicle ( $\geq 6$  mm)).

**Semen collection and preservation:** Semen was collected using an artificial vagina, the day of intrauterine insemination in four adult rams Ouled Djellal breed and having known fertility. After qualitative and quantitative assessment (volume, mass and individual motility, concentration) of ejaculate mixed in pool and diluted with Ovixcell (IMV Technologies, L'Aigle, France), the semen obtained was cooled and maintained at 15°C for <5 h.

**Oestrus detection and fertilization:** Detection of oestrus was performed using whole rams equipped with an apron every 4 h from the 12-96th h after the withdrawal of the vaginal sponge.

Fertilization was obtained by twice hand mating, 32 and 44 h after removal of vaginal sponges by reproductive rams at a rate of one male for five ewes followed by in utero insemination under endoscopic control with  $100 \times 10^6$  spermatozoa, 52 h after removal of vaginal sponges according to the technique described by Baril.

**Corpus luteum numbering and embryos harvesting:** The ovarian response was assessed, under Laparoscopy Method the 7th day after the oestrus onset by enumeration of the corpora lutea and embryos were harvested by abdominal laparotomy.

Laparoscopy and laparotomy were performed under general anesthesia through intramuscular administration of xylazine (Rompun® Bayer Ag, Leverkusen, Germany, 6 mg) and Ketamine (Imalgenel 000®, Merial, Lyon, France,

130 mg). The embryo harvesting conducted according to retrograde way by successive washes of both horns with 40 mL PBS (Phosphate-Buffered Saline IMV Technologies, L'Aigle, France) supplemented with 4% of BSA (bovine serum albumin; IMV Technologies, L'Aigle, France).

The search and ranking of embryos using the criteria described by Muwalla *et al.* (1988). Robertson and Nelson (1999) were carried out under binocular microscope and inverted microscope (20-400X). Classes of 1-3 embryos were considered as transferable.

**Statistical analysis:** For comparison of means, researchers used the Student's test and variance analysis ANOVA (SYSTAT Software, Version 10) and  $\chi^2$ -test for comparing percentages. The relationship between the follicles number of different size categories and superovulation yield was investigated by rank correlation analysis of Spearman.

## RESULTS AND DISCUSSION

**Ovarian follicular status:** Ewes having divided into groups according to their ovarian status, the follicular population ( $\geq 2$  mm) presents at the beginning of experiment did not differ among ewes of both groups ( $12.8 \pm 1.59$  vs.  $11.4 \pm 1.53$ ). The use of GnRH resulted in a significant increase in the mean number of small follicles ( $8.50 \pm 1.64$  vs.  $15.50 \pm 2.74$ ,  $p < 0.01$ ) and a suppression of large follicles ( $\geq 4$  mm) ( $4.3 \pm 0.76$  vs.  $0.0$ ,  $p < 0.001$ ) (Fig. 2). In contrast in control ewes, no significant changes were observed between 1st and 2nd endoscopy for the mean number of small ( $8.2 \pm 1.4$  vs.  $9.0 \pm 1.35$ ) medium-follicles ( $2.1 \pm 0.56$  vs.  $2.30 \pm 0.30$ ) and largest follicles

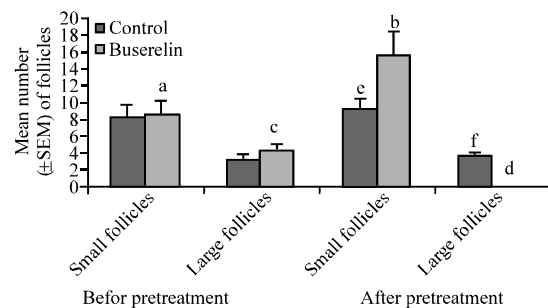


Fig. 2: Effect of pretreatment with GnRH agonist (Buserelin) on the population follicular status in Ouled Djellal ewes breed. Means that differ significantly are marked with different letters (e vs. b)  $p < 0.05$ ; (a vs. b)  $p < 0.01$ ; (c vs. d), (f vs. d)  $p < 0.001$

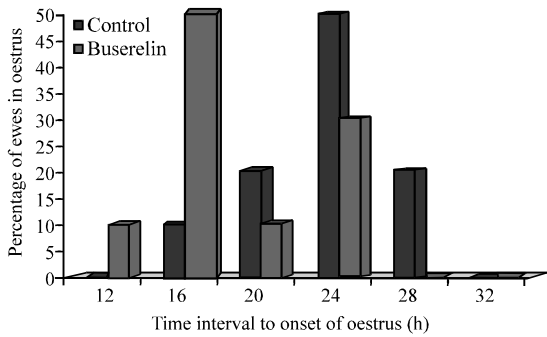


Fig. 3: Distribution of occurrence of oestrus in Ouled Djellal ewes after superovulatory treatments (control group vs. pretreated (Buserelin) group)

(1.1±0.23 vs. 1.30±0.26). Consequently, prior to FSH treatment a significant difference was observed for the follicular population between the two batches of sheep (small follicles (control group 9±1.35 vs. 15.5±2.74 pretreated group,  $p < 0.05$ ), large follicles (control group 3.6±0.45 vs. 0.0 pretreated group,  $p < 0.001$ )).

**Onset and duration of estrus:** The oestrus behavior characterized by the male overlap acceptance was detected in all ewes in 28 h (12-28 h) following the withdrawal of the vagina sponge (Fig. 3). The onset of oestrus was significantly earlier in pretreated ewes with Buserelin compared to that ones of control ewes (18.4±1.36 vs. 23.2±1.16,  $p \leq 0/01$ ). In addition, the mean duration of oestrus was significantly shorter in superovulated ewes in the absence of pretreatment (35.2±1.55 vs. 48.4±2.63,  $p < 0.001$ ).

In all sheep, the total number of present small follicles at the start of FSHp treatment was positively correlated with the oestrus duration ( $r = 0.561$ ,  $p = 0.009$ ) and tended to be positively correlated with the onset of oestrus ( $r = 0.396$ ,  $p = 0.08$ ).

**Yields of the superovulation:** The induction results of superovulation and embryo production are shown in Table 1. The ovulatory response determined by the number of corpora lutea was significantly higher in ewes pretreated batch that ewes in the control group (17.8±1.56 vs. 9.1±1.11,  $p < 0.001$ ). For the whole superovulated ewes, the corpus luteum mean number obtained after ovarian stimulation was positively correlated with the small follicles mean number present at the treatment FSH start ( $r = 0.729$ ,  $p < 0.001$ ).

The eggs rate harvested was not significantly different depending upon the batch of sheep (control group 54 vs. 63% lot pretreated). However, the mean number of harvesting eggs from, pretreated ewes was

Table 1: Effect of pretreatment with GnRH agonist (Buserelin) on the *in vivo* embryos production in Ouled Djellal ewes breed (<sup>1</sup>Mean±SEM)

Parameters	Treatments (groups)	
	FSHp (control group)	GnRHa/FSHp (pretreated group)
Number of Ewes	10	10
Onset oestrus <sup>1</sup> (h)	23.2±1.16 <sup>a,**</sup>	18.4±1.36 <sup>b,**</sup>
Duration of oestrus <sup>1</sup> (h)	35.2±1.55 <sup>e,***</sup>	48.4±2.63 <sup>d,***</sup>
Corpora lutea <sup>1</sup>	9.1±1.11 <sup>e,***</sup>	17.8±1.56 <sup>d,***</sup>
Collected eggs/Corpora lutea (%)	54	63
Unfertilized eggs/Collected eggs (%)	0	1.78
Transferable embryos/Collected eggs (%)	79.6 <sup>a*</sup>	91.07 <sup>b*</sup>
Degenerated embryos/Cleaved eggs (%)	20.4 <sup>a*</sup>	7.27 <sup>b*</sup>
Transferable embryos/Treated ewe <sup>1</sup>	4.1±0.40 <sup>b,**</sup>	10.2±1.87 <sup>a,**</sup>

Values in the same rows with different superscripts differ significantly (g vs. h), (i vs. j) \* $p < 0.05$ , (a vs. b), (k vs. l) \*\* $p < 0.01$ ; (c vs. d), (e vs. f) \*\*\* $p < 0.001$

significantly higher than in control ewes (11.2±1.9 vs. 4.9±0.43,  $p = 0.005$ ). Moreover, for the whole ewes a highly significant correlation was observed between the total number of harvested eggs and the total number of small follicles present on the ovaries before stimulation ( $r = 0.530$ ,  $p = 0.01$ ). Positive correlation was observed between the total number of cleaved embryos and that of small follicles present on the ovaries before stimulation ( $r = 0.52$ ,  $p = 0.01$ ). Moreover, a very close relationship was found between the total number of embryos cleaved and the ovulatory response ( $r = 0.806$ ,  $p < 0.01$ ).

When harvesting embryos at day 7, the rate and the mean number of transferable embryos were significantly higher in the batch of pretreated ewes (transferable embryos rates (control group 79.6 vs. 91.07% pretreated group,  $p \leq 0.05$ ), mean number of transferable embryos (control 4.1±0.40 vs. 10.2±1.87 pretreated,  $p \leq 0.01$ )) and the rate of degenerated embryos was significantly higher in ewes superovulated in the absence of pretreatment (control group 20.40 vs. 7.27% pretreated batch,  $p < 0.05$ ). For all of superovulated ewes, the number of transferable embryos was correlated positively with the number of small follicles present before stimulation ( $r = 0.434$ ,  $p = 0.05$ ).

In Ouled Djellal ewes, the use of GnRH agonist pretreatment (Buserelin) allowed to double the ovarian response to FSH treatment by modification of the follicular status that is to say by inhibition of terminal growth (suppression of large follicles) and increased number of small follicles (2-3 mm). This situation has already been described in the Lacaune ewes (Cognie, 1999; Cognie *et al.*, 2003). In fact, pituitary desensitization to GnRH with an agonist can increase the number of follicles in class's size which precedes the dependence of these follicles towards gonadotrophin (2-3 mm) by

inhibiting the endogenous LH and FSH secretion and by significantly decreasing the follicular atresia rate in this class size (Brebion *et al.*, 1992). The long-lasting treatment with GnRH agonist induces modifications in pituitary secretion in small ruminants (Cognie, 1999; Bister *et al.*, 2004; Gonzalez-Bulnes *et al.*, 2004).

Indeed, the low induced plasma FSH and LH levels, involves suppress large ovarian follicles growth (>3 mm), increasing of small emergent follicles permanently from the basal follicular growth (Brebion *et al.*, 1990; Campbell *et al.*, 1999; Lopez-Alonso *et al.*, 2005a; Gonzalez-Bulnes *et al.*, 2002c, 2004, 2005; Veiga-Lopez *et al.*, 2005) and the accumulation of these last ones on the surface of the ovary (Bister *et al.*, 2004).

The results obtained in the present study show that the onset and duration of behavioral oestrus were significantly different between batches. The early onset of behavioral oestrus in pretreated ewes seems to be related to the presence, before FSH treatment start to a high number of small follicles (2-3 mm) and at the high rate of ovulation as reported by Torres *et al.* (1987) and Martemucci *et al.* (1988). Indeed, Gonzalez-Bulnes *et al.* (2004), Lopez-Alonzo *et al.* (2005b) and Veiga-Lopez *et al.* (2005) observed while the first injection of FSH that a greater growth of follicles gonadotropin-dependent (2-3 mm) at the stage of large follicles ( $\geq 4$  mm) was positively correlated with early onset of estrus, the LH peak and a high ovulation rate.

In this study, the number of corpora lutea obtained after super ovulation has been positively correlated with the number of small follicles (2-3 mm) present on the ovaries during hyperstimulation beginning treatment. These results are similar to those previously reported in other sheep breeds after treatment using a GnRH agonist or antagonist for the preparation of the ovary to the superovulation induction (Cognie *et al.*, 2003; Veiga-Lopez *et al.*, 2005). Indeed ovarian status and the follicular dynamics are the main factors responsible for variability of ovarian response (Bartlewski *et al.*, 1999; Cognie, 1999; Cognie *et al.*, 2003; Veiga-Lopez *et al.*, 2006).

The low ovulation rate obtained in control ewes may be explained by the presence of large follicles at the start of FSH treatment as it has been already observed (Rubianes *et al.*, 1995, 1997; Cognie *et al.*, 2003; Gonzalez-Bulnes *et al.*, 2004).

The mean number of collected eggs obtained in control ewes, low compared to pretreated ewes appears to be related to a negative effect of the presence of large follicles at the start of FSH stimulation as reported by (Gonzalez-Bulnes *et al.*, 2002b). The established influence

because of the presence of large follicles during superovulation on the rate of harvesting or loss of embryos in the uterus may be due to failures in the process of ovulation or to an alteration in the transport of embryos from the oviduct to the uterus (Veiga-Lopez *et al.*, 2005).

Indeed when used in combination of progestagens treatments with FSH, these effects may be exacerbated and high levels of circulating progesterone might damage induced embryos transport through genital tract (Crisman *et al.*, 1980) and explain the differences between the rates of recovery from the oviduct and uterus (Gonzalez-Bulnes *et al.*, 2003).

In the experiment, the induction of superovulation with FSH in the presence or absence of large follicles had no deleterious effect on the cleavage rate. The high fertilization rate achieved in superovulated ewes with or without pretreatment could be related to the combined use at the optimal time of mating and intrauterine insemination (Bari *et al.*, 2000) and to the good ovulation synchronization in the case of GnRH pretreated batch as reported by the research of Cognie (1999) and Cognie *et al.* (2003). In addition, deposition of semen in the uterine horns, under laparoscopic control, reduces alterations of the survival and transport of spermatozoa during their passage through the cervix in superovulated ewes (Evans and Armstrong, 1984) and thus increases the percentage of viable embryos (Brebion *et al.*, 1992; Cognie *et al.*, 2000).

## CONCLUSION

The results of this study show that treatment with Buserelin, significantly increases the mean number of transferable embryos per ewe treated without affecting the quality of embryos collected as described previously (Cognie, 1999; Ben Said *et al.*, 2004). This may result from the complete abolition of early discharge of LH-induced follicle phase. Indeed in the absence of pretreatment preovulatory early discharge may negatively affect the terminal maturation of oocytes (Ben Said *et al.*, 2004).

The percentage of degenerated embryos obtained in this research was significantly higher with superovulated ewes in the absence of pretreatment, contrary to comments of Gonzalez-Bulnes *et al.* (2003) this rate is not correlated in this study with the presence of large follicles before superovulation treatment.

Buserelin treatment for ovarian preparation toward superovulation induction of has increased significantly the mean number of transferable embryos per ewe treated. This improvement is mainly due to an increase in ovulatory response to gonadotropin treatment and higher

quality embryos. The application of pretreatment with GnRH agonist is appropriate for the implementation of the production, preservation and transfer of embryos to maintain the Ouled Djellal breed.

#### ACKNOWLEDGEMENTS

The researchers acknowledge the generous assistance of the members of the Society Reprobiol-Liege (Belgium) who kindly provided with porcine pituitary hormones and SARL VIDALAIT (Algeria) for its collaboration.

#### REFERENCES

- Adams, G.P., 1999. Comparative patterns of follicle development and selection in ruminants. *J. Reprod. Fertil. Suppl.*, 54: 17-32.
- Archa, B., J.L. Bister, A. Bellflamme, M. Chentouf, R. Renaville and R. Paquay, 2005. Effect of low GnRH agonist pre-treatments on superovulatory responses in ewes. Proceedings of the 4th FNRS Meeting on Competence to Development of the Mammalian Oocyte and Embryo Quality, May 13, 2005, Mons, Belgium.
- Bari, F., M. Khalid, W. Haresign, A. Murray and B. Merrell, 2000. Effect of mating system, flushing procedure, progesterone dose and donor ewe age on the yield and quality of embryos within a MOET program in sheep. *Theriogenology*, 53: 727-742.
- Bartlewski, P.M., A.P. Beard, S.J. Cook, R.K. Chandolia, A. Honaramooz and N.C. Rawlings, 1999. Ovarian antral follicular dynamics and their relationships with endocrine variables throughout the oestrous cycle in breeds of sheep differing in prolificacy. *J. Reprod. Fertil.*, 15: 111-1124.
- Bartlewski, P.M., B.D. Alexander and W.A. King, 2008. Ovarian and endocrine determinants of superovulatory responses in anestrous ewes. *Small Ruminant Res.*, 75: 210-216.
- Ben Said, S., J.L. Touze, G. Baril, J.F. Beckers and Y. Cognie, 2004. Long-term exposure to GnRH agonist does not modify the sheep ovarian response to a superovulation FSH treatment. *Reprod. Fertil. Dev.*, 16: 503-526.
- Bister, J.L., B. Noel, B. Perrad, S.N.M. Mandiki, J. Mbayahaga and R. Paquay, 1999. Control of ovarian follicles activity in the ewes. *Domestic Anim. Endocrinol.*, 17: 315-328.
- Bister, J.L., M. Chentouf, B. Archa and R. Paquay, 2004. Use of GnRH analogue (Buserelin™) to induce superovulation in ewes. Proceedings of the 3rd FNRS Meeting on Competence to Development of the Mammalian Oocyte and Embryo Quality, June 16, 2004, Louvain-La-Neuve, Belgium.
- Brebion, P. and Y. Cognie, 1989. Increased superovulation in the ewe following 14 days of GnRH agonist pre-treatment. Proceedings of the 5th Meeting on European Embryo Transfer Association (EETA'89), Lyon, France, pp: 106-106.
- Brebion, P., G. Baril, Y. Cognie and J.C. Vallet, 1992. Embryo transfer in sheep and goat. *Ann. Anim. Sci.*, 41: 331-339.
- Brebion, P., J.P. Belloc and M. Briois, 1990. Elite lacaune ewes pretreated with a GnRH antagonist yield more usable embryos following pFSH. Proceedings of the 6th Meeting on European Association for Embryo Transfer (EETA'90), Lyon, pp: 12-12.
- Briois, M., J.P. Belloc, P. Brebion, Y. Guerin and Y. Cognie, 1992. Increased embryo production in superovulated elite Lacaune ewes pretreated with a GnRH agonist. Proceedings of the 8th Meeting on European Association for Embryo Transfer (EETA'92), Lyon, France, pp: 132-132.
- Campbell, B.K., H. Dobson and R.J. Scaramuzzi, 1998. Ovarian function in ewes made hypogonadal with GnRH antagonist and stimulated with FSH in the presence or absence of low amplitude LH pulse. *J. Endocrinol.*, 156: 213-222.
- Campbell, B.K., H. Dobson, D.T. Baird and R.J. Scaramuzzi, 1999. Examination of the relative role of FSH and LH in the mechanism of ovulatory follicle selection in sheep. *J. Reprod. Fertil.*, 117: 355-367.
- Campbell, B.K., R.J. Scaramuzzi and R. Webb, 1995. Control of follicle development and selection in sheep and cattle. *J. Reprod. Fertil. Suppl.*, 49: 335-350.
- Cognie, Y., 1999. State of the art in sheep-goat embryo transfer. *Theriogenology*, 51: 105-116.
- Cognie, Y., G. Baril, N. Poulin and J.F. Beckers, 2000. The ovulation rate obtained after a superovulatory treatment associating GnRH antagonist and pFSH is highly repeatable. Proceedings of the 16th Meeting on European Association for Embryo Transfer, (EETA'00), Lyon, France, pp: 130-130.
- Cognie, Y., G. Baril, N. Poulin and P. Mermillod, 2003. Current status of embryo technologies in sheep and goat. *Theriogenology*, 59: 171-188.
- Crisman, R.O., L.E. McDonald and F.N. Thompson, 1980. Effects of progesterone or estradiol on uterine tubal transport of ova in the cow. *Theriogenology*, 13: 141-154.
- Dufour, J.J., Y. Cognie, P. Mermillod, J.C. Mariana and R.F. Romain, 2000. Effects of the boorola *Fec* gene on ovarian follicular populations in superovulated romanov ewes pretreated with antagonist. *J. Reprod. Fertil.*, 118: 85-94.
- Evans, G. and D.T. Armstrong, 1984. Reduction of sperm transport in ewes by superovulation treatments. *J. Reprod. Fertil.*, 70: 47-53.

- Gonzalez, F., P. Calero and J.F. Beckers, 2001. Induction of Superovulation in Domestic Ruminants. In: *Biotechnology in Animal Husbandry*, Renaville, R. and A. Burny (Eds.). Springer, New York, USA., ISBN-13: 9780792368519, pp: 209-223.
- Gonzalez-Bulnes, A., D.T. Baird, B.K. Campbell, M.J. Cocero and R.M. Garcia-Garcia *et al.*, 2004. Multiple factors affecting the efficiency of multiple ovulation and embryo transfer in sheep and goats. *Reprod. Fertil. Dev.*, 16: 421-435.
- Gonzalez-Bulnes, A., F. Berlinguer, M.J. Cocero, R.M. Garcia-Garcia and G. Leoni *et al.*, 2005. Induction of the presence of corpus luteum during superovulatory treatments enhances *in vivo* and *in vitro* blastocysts output in sheep. *Theriogenology*, 64: 1392-1403.
- Gonzalez-Bulnes, A., J. Santiago-Moreno, M.J. Cocero, C.J.H. Souza and N.P. Groome *et al.*, 2002a. Measurement of inhibin A and follicular status predicts the response of ewes to superovulatory FSH treatments. *Theriogenology*, 57: 1263-1272.
- Gonzalez-Bulnes, A., R.M. Garcia-Garcia, C.J.H. Souza, J. Santiago-Moreno, A. Lopez-Sebastian, M.J. Cocero and D.T. Baird, 2002b. Patterns of follicular growth in superovulated ewes and influence on endocrine and ovarian response. *Reprod. Domestic Anim.*, 37: 357-361.
- Gonzalez-Bulnes, A., R.M. Garcia-Garcia, J. Santiago-Moreno, A. Lopez-Sebastian and M.J. Cocero, 2002c. Effects of follicular status on superovulatory response in ewes is influenced by presence of corpus luteum at first FSH dosage. *Theriogenology*, 58: 1607-1614.
- Gonzalez-Bulnes, A., R.M. Garcia-Garcia, J. Santiago-Moreno, V. Dominguez, A. Lopez-Sebastian and M.J. Cocero, 2003. Reproductive season affects inhibitory effects from large follicles on the response to superovulatory FSH treatments in ewes. *Theriogenology*, 60: 281-288.
- Gordon, I., 1997. *Controlled Reproduction in Sheep and Goats*. 1st Edn., CAB International, London, UK., ISBN: 0851991157.
- Lopez-Alonzo, C., T. Encinas, A. Veiga-Lopez, R.M. Garcia-Garcia and J.M. Ros *et al.*, 2005a. Follicular growth, endocrine response and embryo yields in sheep superovulated with FSH after pretreatment with a single short-acting dose of GnRH antagonist. *Theriogenology*, 64: 1833-1843.
- Lopez-Alonzo, C., T. Encinas, R.M. Garcia-Garcia, A. Veiga-Lopez, J.M. Ros, A.S. McNeilly and A. Gonzalez-Bulnes, 2005b. Administration of single short-acting doses of GnRH antagonist modifies pituitary and follicular function in sheep. *Domestic Anim. Endocrinol.*, 29: 476-487.
- Lucero, S. and J. Rutelle, 1990. Effect of FSHp dosage and body weight on estrus synchronization and superovulation in fine-wool ewes. *Proceedings of the Livestock Research Briefs and Cattle Grower's Short Course*, March 21-22, 1990, New Mexico State University, Las Cruces, Mexico, pp: 14-15.
- Martemucci, G., M. Gambacorta, F. Toteda, A. Manchisi and E. Belliti, 1988. Superovulation response to treatment with PMSG, FSH-p or HMG in ewe for embryo transfer. *Anim. Husbandry Anim. Nutr.*, 14: 379-386.
- McNeilly, A.S. and H.M. Fraser, 1987. Effect of gonadotrophin releasing hormone agonist-induced suppression of LH and FSH on follicle growth and corpus luteum function in the ewe. *J. Endocrinol.*, 115: 273-282.
- Muwalla, M., W.C. Foote, T.D. Bunch and J.W. Call, 1988. The influence of culture and transport on pre-transfer development and post-transfer survival of sheep response. *Theriogenology*, 29: 369-379.
- Naqvi, S.M.K. and R. Gulyani, 1998. The effect of gonadotrophin releasing hormone and follicle stimulating hormone in conjunction with pregnant mare serum gonadotrophin on the superovulatory response in crossbred sheep in India. *Trop. Anim. Health Prod.*, 30: 369-376.
- Noel, B., J.L. Bister and R. Paquay 1993. Ovarian follicular dynamics in Suffolk ewes at different periods of the year. *J. Reprod. Fertil.*, 99: 695-700.
- Oussaid, B., J.C. Mariana, N. Poulin, J. Fontaine, P. Lonergan, J.F. Beckers and Y. Cognie, 1999. Reduction of the developmental competence of sheep oocytes by inhibition of LH pulses during the follicular phase with a GnRH antagonist. *J. Reprod. Fert.*, 117: 71-77.
- Picton, H.M., C.G. Tsonis and A.S. McNeilly, 1990. FSH causes a time-dependent stimulation of preovulatory follicle growth in the absence of pulsatile LH secretion in ewes chronically treated with gonadotrophin-releasing hormone agonist. *J. Endocrinol.*, 126: 297-307.
- Robertson, I. and R. Nelson, 1999. Certification and Identification of Embryos. In: *Manual of the International Embryo Transfer Society: A Procedural Guide and General Information for the use of Embryo Transfer Technology, Emphasizing Sanitary Precautions*, Stringfellow, D.A., S.M. Seidel and International Embryo Transfer Society (Eds.). 3rd Edn. The Society, Champaign, IL., USA., ISBN-13: 9780966238600, pp: 109-122.

- Rubianes, E., D. Ibarra, R. Ungerfeld, B. Carbajal and T. de Castro, 1995. Superovulatory response in anestrous ewes is affected by the presence of a large follicle. *Theriogenology*, 43: 465-472.
- Rubianes, E., R. Ungerfeld, C. Vinales, A. Rivero and G.P. Adams, 1997. Ovarian response to gonadotropin treatment initiated relative to wave emergence in ultrasonographically monitored ewes. *Theriogenology*, 47: 1479-1488.
- Smith, C.L., 1984. Dose effect of follicle stimulating hormone for superovulation of crossbred Targhee ewes. *Theriogenology*, 21: 262-262.
- Torres, S., Y. Cognie and G. Colas, 1987. Transfer of superovulated sheep embryos obtained with different FSH-P. *Theriogenology*, 27: 407-419.
- Veiga-Lopez, A., A. Gonzalez-Bulnes, R.M. Garcia-Garcia, V. Dominguez and M.J. Cocero, 2005. The effects of previous ovarian status on ovulation rate and early embryo development in response to superovulatory FSH treatments in sheep. *Theriogenology*, 63: 1973-1983.
- Veiga-Lopez, A., M.J. Cocero, V. Dominguez, A.S. McNeilly and A. Gonzalez-Bulnes, 2006. Follicular wave status at the beginning of the FSH treatment modifies reproductive features in superovulated sheep. *Reprod. Biol.*, 6: 243-264.