

RBFNN Model for Prediction Recognition of Tool Wear in Hard Turning

Akeel Ali Wannas

Center of Training and Works Shops, University of Technology, Baghdad, Iraq

Abstract: Hard turning technology has been gaining acceptance in many industries throughout the last 2 decades. The trend today is to replace the slow and cost-intensive grinding process with finish hard turning in many industrial applications such as bearings, transmission shafts, axles and engine components, flap gears, landing struts and aerospace engine components. In this study, Radial Basis Function Neural Network (RBFNN) model has been developed for the prediction of the status of the tool wear. Learning data was collected from Experimental setup. The neural network model has 3 input nodes and one output representing process Modeling correlates process state variables to parameters. The process input parameters are Feed rate (F), cutting Speed (S) and Depth of cut (D_c). The process output is state Variable (V_b). Regression analysis between finite element results and values predicted by the neural network model shows the least error.

Key words: RBFNN, wear, hard turning, applications, transmission, components

INTRODUCTION

Due to its favorable effects on the machined surface, hard turning processes are replacing grinding for finishing various mechanical components of hardened steels such as transmission shafts, bearings and gears for the automotive industry, as well as landing gear struts for the aerospace industry. During hard turning, the cutting tool, usually from Cubic Boron Nitride (CBN), is exposed to a very severe environment. In all these machines, predefined sequence of instruction, like using stops and programming methods, is used to execute the operations, so that good quality parts with mass production are achieved. For a tool to perform successfully under these severe conditions, factors such as the cutting tool edge geometry (chamfer angle and hone radius), feed rate and cutting speed have to be carefully selected.

In the past decades, the mechanics of metal cutting processes have been extensively investigated through numerical and experimental techniques with encouraging achievements. A major application of the hard turning process is the bearing industry, where a sequence of production steps, including heat treatment and grinding, are traditionally required to produce bearing races out of medium-and high-carbon steels (e.g., AISI 1050, 52100, ASTM 5115). The trend today is to replace the slow and cost-intensive grinding process with the turning process to directly rough and finish machining hardened bearing components prior to super finishing. Also, automobile makers have started to use hard turning for semi-finished and finished transmission shafts, axles and engine components, while aircraft manufacturers have applied the

technology to the production of flap gears, landing struts and aerospace engine components (Hashimura *et al.*, 1999).

Another industrial example of such a transition from grinding to hard turning is the production of T1 N drive shafts of the Mercedes Benz Sprinter, which is made of hardened AISI 1045 (61 HRC) (Reisner and Vogt, 2003). When compared to grinding, the most significant advantage of hard turning is the generation of relatively deep surface compressive residual stresses (Matsumoto *et al.*, 1999; König *et al.*, 1990; Liu and Melkote, 2007; Bagshaw and Newman, 2002).

In addition, hard turning has several potential advantages over grinding, such as the ability to machine complex workpiece geometry in one set-up, the low capital investment cost and risks, the ability to be environment-friendly since coolants are avoided, easy and fast set up and lower energy consumption (Thiele *et al.*, 2000).

Due to the complexity and unpredictable nature of the machine process, the process has to be modeled with rule-based techniques. Therefore, this study focus on RBFNN Modeling correlates process state variables to parameters. The duration, after which a tool has to be replaced or reground, can be expressed in terms of amount of flank wear land width of the tool (V_b) or tool life in minutes. When the tools are worn out, they are replaced with new tools, or reground and used. Established data both in terms of tool life and amount of tool wear, are available, based on which, the tools can be replaced or reground. The process state variable is V_b . The process parameters are Feed rate (F), cutting Speed (S) and Depth of cut (D_c). Some of the modeling techniques are multiple

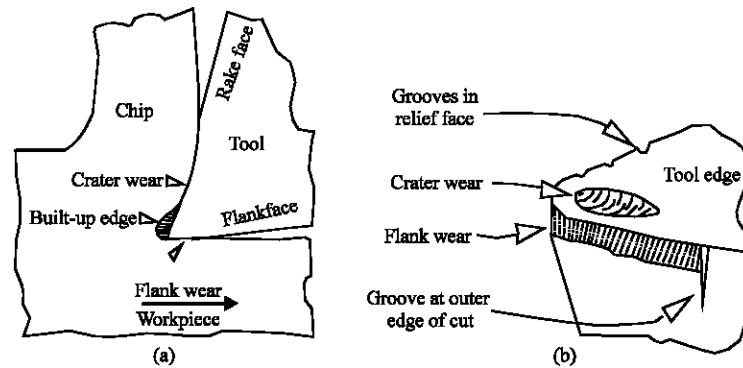


Fig. 3: Basic tool wear modes and their locations on a cutting insert

temperatures. For interrupted cuts, tool materials with high toughness are more frequently required to prevent chipping and edge failure; however, these materials tend to have lower wear resistance instead despite to avoiding the use of coolant, as it causes higher variation in temperature, leading to premature tool failure.

Ceramic and Cubic Boron Nitride (CBN) tools are currently the only choices available that can meet the demands of turning hardened steels.

In most practical cases, two important criteria related to tool life are simultaneously used to evaluate the finishing performance of a hard turning process. They are attainable surface quality and tool wear (Fig. 3), which are directly influenced by the cutting tool material and geometry. Therefore, in order to prolong tool life and prevent edge failure, selection of the optimal tool material and edge preparation for each particular application is especially important. Flank wear should be controlled within a limit value, defined as the tool life criterion (e.g., $V_{\text{bave}} = 0.2 \text{ mm}$), as it causes degradation of surface finish and thermal damage on the machined surface due to tool-work friction. In addition, crater wear, which can occur near the cutting edge and weakens it, is also a significant failure mode in hard turning. Dry conditions are usually recommended for hard turning because coolant use may cause greater thermal shock in hard tool materials (e.g., ceramics) and induce chipping (Matsumoto *et al.*, 1999).

Ceramic tools typically cost only 1/5-1/10 the cost of a CBN tool and provide an inexpensive alternative for many hard turning applications. The typical ceramic tool used in hard turning is a composite material consisting of aluminum oxide and titanium carbide ($\text{Al}_2\text{O}_3+\text{TiC}$). Ceramic tools can be used successfully in continuous cutting situations where the demands of dimensional accuracy are not too great. There are three main disadvantages of ceramic tools that limit their application in hard turning.

First, ceramic tools cannot provide consistent tool life for interrupted cutting, in which the tool must withstand high cyclic impact loading.

Second, the wear resistance of ceramic tools is considerably lower than that of CBN tools, thus requiring more frequent tool changes and closer monitoring of the process.

Third, the thermal conductivity of ceramic tools is very low (about 1/5 that of CBN tools), which leads to higher temperatures in the cutting zone of the work material during cutting. High cutting temperatures at the workpiece can cause significant thermal distortion of the parts being machined.

RBFNN MODEL PREDICTION

From the examples ANN captures the domain knowledge. ANN can handle continuous as well as discrete data and have good generalization capability as with fuzzy expert systems. An ANN is a computational model of the brain. They assume that computation is distributed over several simple units called neurons, which are interconnected and operate in parallel thus known as parallel distributed processing systems or connectionist systems. Implicit knowledge is built into a neural network by training it. Several types of ANN structures and training algorithms have been proposed.

The basic form of RBF architecture involves entirely three different layers. The input layers is made n_i of source nodes while, the second layer is hidden layer of high enough dimension which senses a different purpose from that in a multilayer perception.

The output layer supplies the response of the network to the activation patterns applied to the input layer. The transformation from the input layer to hidden is nonlinear whereas the transformation from the hidden from unit to the output layer is linear.

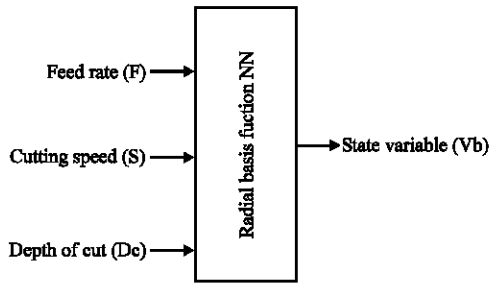


Fig. 4: RBFANN for paddle cantilever

The transfer function for a radial basis neuron is:

$$\text{radbas}(n) = e^{-n_2}$$

This function calculates a layer's output from its net input.

For effective predicting of tool wear process, the selection of proper inputs and outputs of ANN, structure of the network and training of it using appropriate data should be done with utmost care. In the present study, inputs are selected as are Feed rate (F), cutting Speed (S) and Depth of cut (D_c). The process output is. The NN outputs have been termed as one output node representing the state variable (V_b) as shown in Fig. 4.

RESULTS AND DISCUSSION

Experimental study on Turing was conducted with spherical graphite cast iron work material. The tool used for this study is made of 13 layers of coating with ALON, Tic, TIN, Ii(C, N) over a carbide substrate. The ranges of various process parameters are: Cutting speed ($200\text{-}500\text{ m min}^{-1}$), feed ($0.063\text{-}0.25\text{ mm rev}^{-1}$) and depth of cut ($0.5\text{-}2\text{ mm}$). The Turing operation was carried on a VDF high-speed precision lathe.

The 3 components of forces, namely, axial Force (F_x), radial Force (F_y) and tangential Force (F_z) and flank wear land width (V_b) were collected. To read the cutting forces, a three-component piezoelectric crystal type of dynamometer (KISTLER type 9441) was used. The value of V_b was measured by a toolmaker's microscope. The block diagram of the experimental set-up is shown in Fig. 5.

Measurements were made at different intervals of time. Depending on the length of cut, machining was stopped after every 60-80 sec and V_b was measured. Static forces were recorded at 2 or 3 intermediate points between 2 wear measurements. The set of measurements, immediately prior to a wear measurement, had been used for training the neural network. About 113 patterns

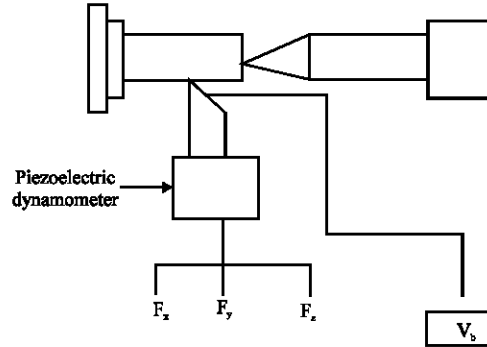


Fig. 5: Block diagram of experimental setup

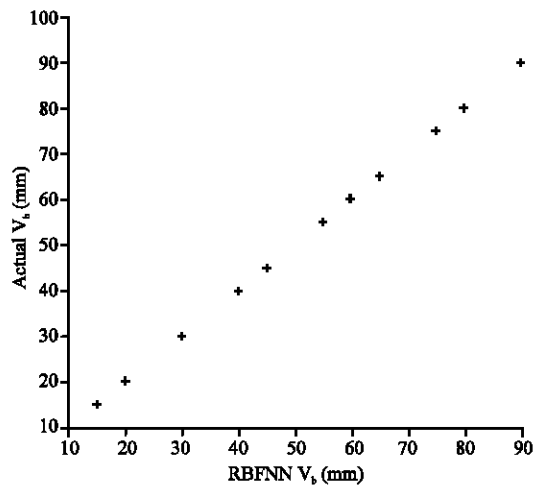


Fig. 6: Comparisons between the RBFNN output prediction and actual results RBFNN

were collected. During reinsertion of tool inserts after every wear measurement, inserts were slugged into the slot made out in the tool holder, so that there was no change in the tool overhang. About 90% of the data 101 patterns, were used to train the different network architectures, where remaining 12 patterns were used for testing to verify the prediction ability of each trained NN model. Since, RBFNNs Learn relations and approximate function mapping limited by the extent of the training data, the best use of the trained RBFNN models can be achieved in interpolation.

Table 1 shows the RBFNN output for prediction Tool wear, from the analysis of the results in Table 1, it is observed that the accuracy of the RBFNN method was slightly superior when compared to the experimental results on account of Mean Average Error (MAE). Figure 5 shows a plot of experimental result for wear tool against corresponding RBFNN prediction. A linear correlation can be observed and the correlation coefficient was found Table 1.

Table 1: Sample of prediction tool wear

Inputs							Outputs	
S (m mm ⁻¹)	F (mm rev ⁻¹)	D (mm)	F _x (N)	F _y (N)	F _z (N)	Time (sec)	Actual Vb (mm)	RBFNN Vb (mm)
450	0.10	1.5	150	350	115	45	15	14.9954
450	0.10	0.5	60	115	50	38	15	15.0053
450	0.10	2	180	450	130	32	15	15.0022
350	0.10	0.5	60	125	90	30	15	14.9969
300	0.06	0.5	45	70	80	428	20	19.9987
300	0.06	0.5	40	65	80	428	20	20.0063
200	0.06	0.5	40	75	65	428	20	20.0003
400	0.10	0.5	60	110	85	428	20	19.9987
300	0.08	0.5	50	85	90	428	20	20.0088
300	0.08	0.5	45	85	90	428	20	20.0090
400	0.06	0.5	40	95	75	428	20	19.9952
500	0.08	0.5	50	105	40	428	20	19.9911
200	0.10	0.5	60	110	90	428	20	19.9997
400	0.08	0.5	55	100	90	428	20	19.9989
500	0.10	0.5	50	110	95	428	20	20.0089
200	0.10	0.5	45	105	85	428	20	19.9977
450	0.10	1	115	250	105	428	20	19.9937
300	0.10	0.5	45	105	110	428	20	19.9993
300	0.10	0.5	40	105	105	428	20	20.0005
200	0.06	0.5	35	70	65	428	20	19.9981
500	0.06	0.5	45	90	70	428	20	20.0094
200	0.08	0.5	40	80	75	428	20	20.0015
200	0.08	0.5	50	90	75	428	20	20.0010
400	0.20	0.5	75	195	115	428	20	20.0011
300	0.25	0.5	70	225	140	428	20	20.0029
200	0.20	0.5	50	190	125	428	20	19.9978
200	0.20	0.5	120	190	130	428	20	19.9976
400	0.25	0.5	80	230	125	428	20	19.9992
300	0.20	0.5	65	185	130	428	20	20.0018
500	0.25	0.5	60	215	115	428	20	20.0039
500	0.20	0.5	60	195	110	428	20	19.9967
200	0.25	0.5	85	220	160	428	20	19.9943
200	0.25	0.5	60	210	150	35	20	19.9939
450	0.10	0.5	60	105	55	92	30	29.9956
350	0.10	0.5	55	140	85	75	30	30.0011
450	0.10	1.5	130	345	115	65	30	29.9910
450	0.10	2	100	450	140	60	30	29.9905
450	0.10	1	100	250	105	70	40	39.9957
400	0.10	0.5	55	110	85	129	45	45.0029
350	0.10	0.5	60	120	100	42	45	45.0050
450	0.10	0.5	25	85	70	111	55	54.9930
450	0.10	2	160	470	140	85	55	54.9988
350	0.10	0.5	60	125	100	165	60	66.0085
450	0.10	1.5	150	330	105	94	65	64.9996
350	0.10	0.5	60	125	80	202	75	75.0091
450	0.10	1	115	260	110	110	75	75.0080
450	0.10	0.5	25	90	70	149	80	80.0047
450	0.10	2	110	470	140	110	80	79.9965
400	0.10	0.5	50	105	80	240	90	90.0081
350	0.10	0.5	55	130	85	85	90	90.0097
450	0.10	0.5	60	125	105	180	90	89.9936

CONCLUSION

The overall goal of the proposed research is to develop methodologies using RBFNN for predicting the effects of the cutting tool edge design and the machined surface integrity on hard turning as follows:

- The hard turning process is being applied gradually in industry to replace the costly and slow grinding process in finishing mechanical components

- RBFNN proved to be an efficient tool to optimize several industrial metal forming processes. The use of RBFNN in modeling of machining allows for considering process details that analytical models cannot handle and for predicting variables

Finally, the simulation results show that RBF can be very successively used for reduction of the effort and time required. This means that it can solve many problems that have mathematical and time difficulties.

ACKNOWLEDGEMENT

The Author want to introduce his thanks to Phd student Mohammed K. Mohammed, Faculty of Mechanical Eng., University Malaysia Pahang for his help to proved the experimental result which is used in this study.

REFERENCES

- Bagshaw, R.W. and S.T. Newman, 2002. Manufacturing data analysis of machine tool errors within a contemporary small manufacturing enterprise. *Int. J. Machine Tools Manufacture*, 42 (9): 1065-1080.
- Hashimura, M., Y. Chang and D. Dornfeld, 1999. Analysis of burr formation mechanism in orthogonal cutting. *J. Manufacturing Sci. Eng.*, 121: 1-7.
- König, W., M. Klinger and R. Link, 1990. Machining hard material with geometrically defined cutting edges-field of applications and limitations. *Ann. College Int. Pour la Recherche en Producterique (CIRP)*, 39 (1): 61-64.
- Li, X. and X. Yao, 2005. Multi-scale statistical process monitoring in machining. *IEEE. Trans. Ind. Elec.*, 52 (3): 924-927. DOI: 10.1109/TIE.2005.847580.
- Liu, K. and S.N. Melkote, 2007. Finite element analysis of the influence of tool edge radius on size effect in orthogonal micro-cutting process. *Int. J. Mech. Sci.*, 49 (5): 650-660.
- Matsumoto, Y., F. Hashimoto and G. Lahoti, 1999. Surface integrity generated by precision hard turning. *Ann. College Int. Pour la Recherche en Producterique (CIRP)*, 48 (1): 59-62.
- Reisner, S. and B. Vogt, 2003. Process converted from grinding to hard fine turning. *Ind. Diamond Rev.*, 3: 62-63/65.
- Sohrab, K., I. Hassanzadeh and M.B.B. Sharifian, 1999. Modified adaptive discrete control system containing neural estimator and neural controller. *AI in Eng.*, 14 (1): 31-38. DOI: 10.1016/S0954-1810(99)00017-5.
- Thiele, J., S. Melkote, R. Peascoe and T. Watkins, 2000. Effect of cutting-edge geometry and workpiece hardness on surface residual stresses in finish hard turning of AISI 52100 steel. *Trans. ASME J. Manufacturing Sci. Eng.*, 122: 642-649.