

Harmonic Filter for Microgrid Based on Extreme Learning Machine

¹Mat Syai'in, ²D.K. Setiawan, ³N.H. Rohiem, ³M.F. Adiatmoko, ³Adi Soeprijanto and ⁴A.M. Hatta

¹Study Program of Automation Engineering,

Shipbuilding Institute of Polytechnic Surabaya (SHIPS/PPNS), Surabaya, Indonesia

²Department of Electrical Engineering, Universitas of Jember, Jember, Indonesia

³Department of Electrical Engineering,

⁴Department of Engineering Physics, Institute Teknologi Sepuluh Nopember (ITS) Surabaya,

Surabaya, Indonesia

matt.syaiin@ppns.ac.id, masdedyks@gmail.com, nasyithhananur@gmail.com,

fajar.moko@gmail.com, adisup@ee.its.ac.id, amhatta@ep.its.ac.id

Abstract: The development of converter technology has made the price of renewable energy-based power plants more affordable. The increasing number of renewable energy-based power plants has a positive impact but also has a negative impact. One of the negative impacts that occur in renewable energy-based power plants is the emergence of harmonics. Harmonics in principle cannot be removed from the electric power system but harmonics can be controlled in order to minimize the negative impact. This research is developing active filter based on Extreme Learning Machine (ELM) concept. ELM is used as control strategies to produces signals opposite with harmonic signals. From the simulation results shown that the active filter based on ELM can reduce the Total Harmonic Distortion (THD) in microgrid systems effectively.

Key words: Converter, active filter, extreme learning machine, total harmonic distortion, microgrid, plants

INTRODUCTION

Development of digital technology in electrical systems, making significant changes to the characteristics of electric power systems. The most significant influence is indicated by the use of converter technology. Excessive use of the converter can change the nature of the electrical signal from a pure sinus to a distorted sinus (Chakir *et al.*, 2014; Anwar *et al.*, 2015; Hashempour *et al.*, 2016; Gonzatti *et al.*, 2017). The development of converter technology which is getting cheaper, makes the use of renewable energy-based power plants increase. Its use is also combined with conventional generators which are commonly known as micro grid systems (Abdelsalam *et al.*, 2011; Li *et al.*, 2016; Cao *et al.*, 2018; Feng *et al.*, 2018). This is intended to improve efficiency, reduce environmental pollution and preserve nature (Dudurych *et al.*, 2012). Microgrid systems have a very positive impact on the electric power system. However, microgrids also cause negative impacts such as harmonics. Harmonics can be systemically detrimental if not well controlled (Setiawan *et al.*, 2015).

At present, many researchers have developed filter technology to reduce the negative effects of harmonics,

both passive and active filters. The advantage of passive filters is the relatively cheaper price but passive filter applications only function effectively at a constant load. While for active filters (Setiawan *et al.*, 2015) the price is still expensive but its use can be widely applied in various loading conditions.

In this research, developed an active filter with employing abc-dq transformation (Setiawan *et al.*, 2015). The advantage of using dq frame is the signal easier for controlling because the value in dq frame is not influenced by time. Which is very different with value in abc frame that changing by the time.

In this study, Extreme Learning Machine (ELM) controller is examined to replace the PI controller for controlling the active power filter. Simulation is performed in MATLAB after training ELM and it is shown that results are acceptable and applicable in grid system. The ELM controller can be less complicated and less costly to implement in industrial control applications as compared to PI controller (Setiawan *et al.*, 2009).

MATERIALS AND METHODS

This study is employing dq frame concept to modify signals and implement it as main controller of an active

filter. There are two kind of an active filter was design in this study, the first is an active filter based on PI (Proportional Integral) controller and the second is an active filter based on ELM (Extreme Learning Machine) controller. The detail process design can be explain in the the flow chart as follow (Fig. 1).

Modeling of microgrid systems: Modeling of micro grid system in this study is employing MATLAB Simulink.

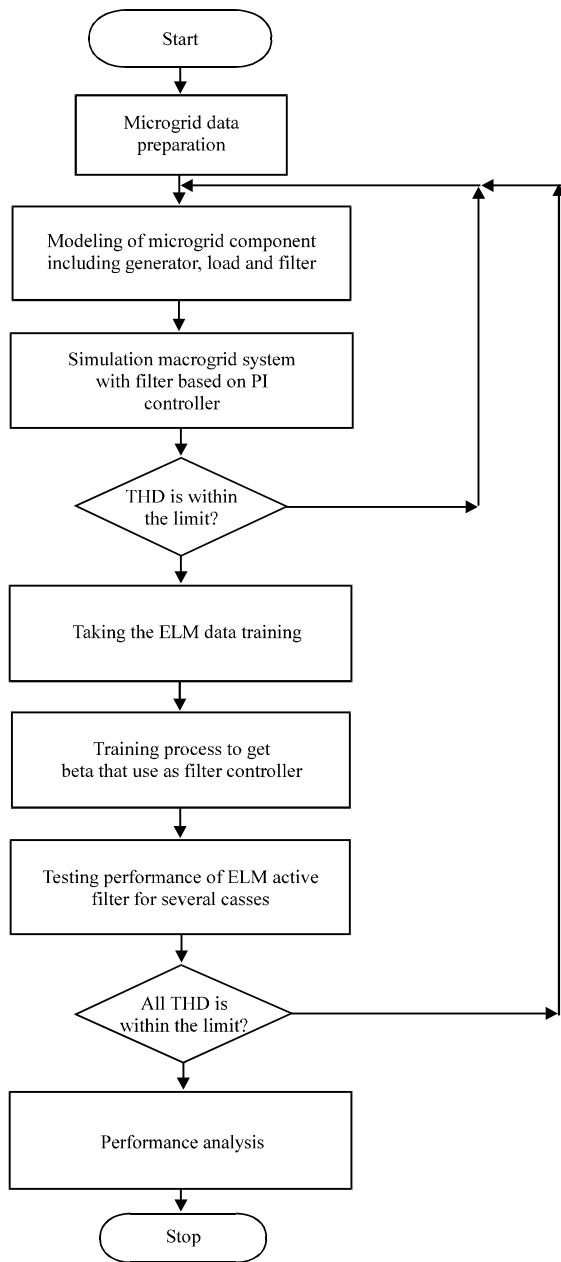


Fig. 1: Flowchart of the filter design

The micro grid model used in this simulation has three kinds of power plant. The first is diesel power plant. The second is direct solar system power plant and the third is battery with inverter. The models for those three kinds of power plants are explained in Fig. 2- 4.

Diesel power plant model: Diesel Power Plant (DPP) Model are derived from Synchronous Generator (SG)

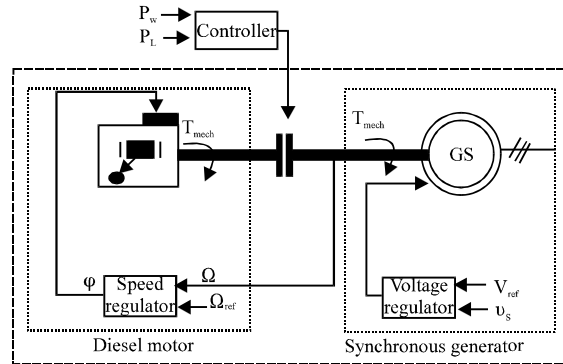


Fig. 2: DPP Model

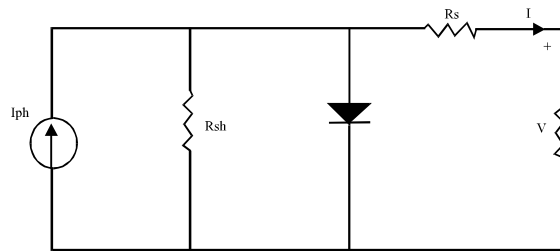


Fig. 3: PV equivalent circuit

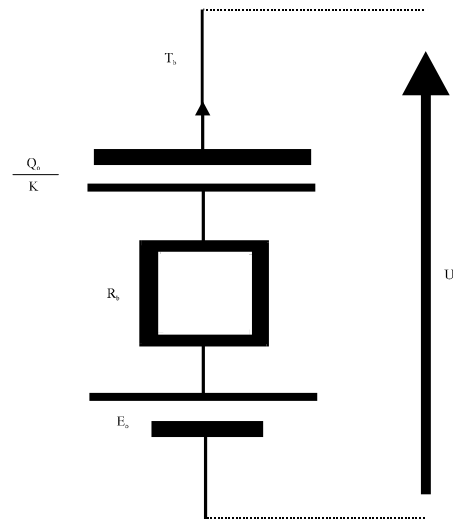


Fig. 4: Electrical equivalent model of the battery

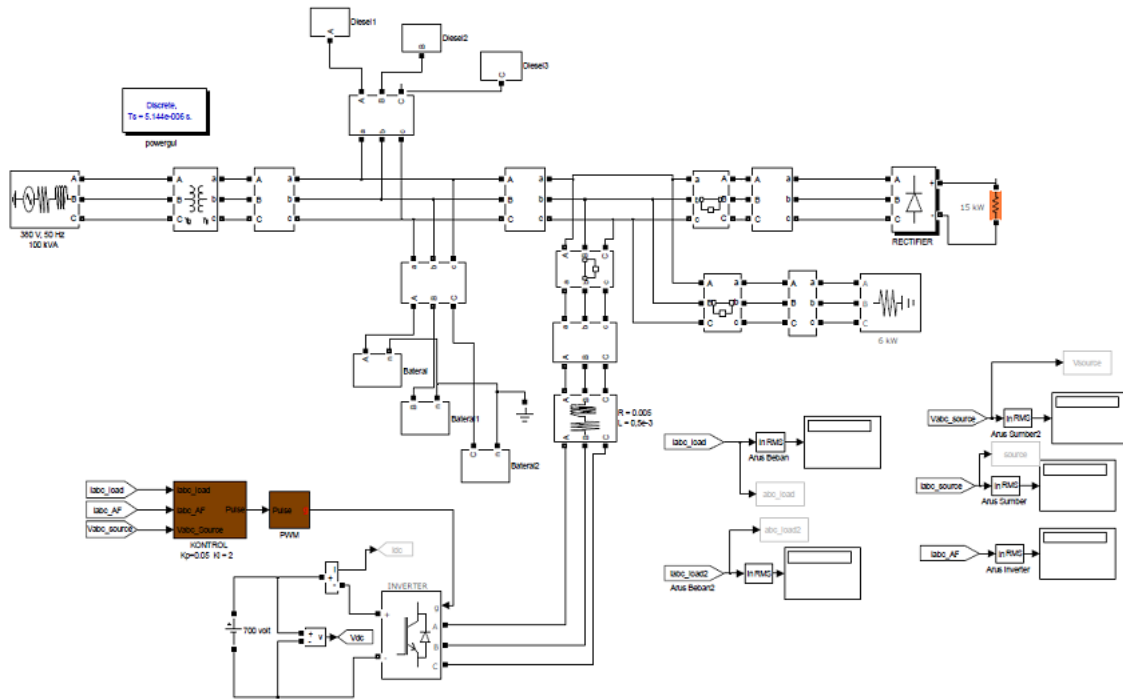


Fig. 5: The complete model of micro grid system simulation

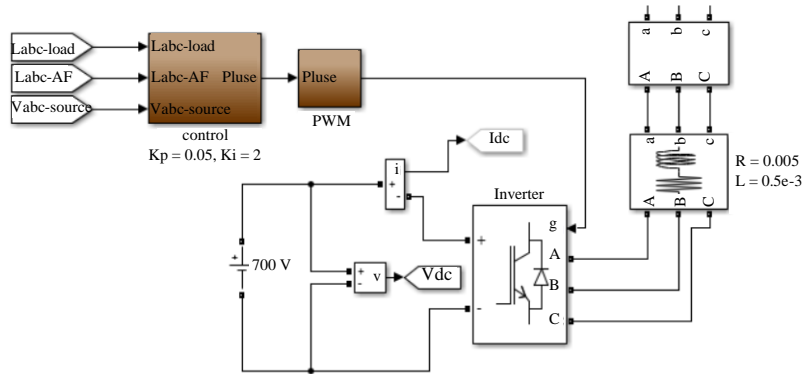


Fig. 6: Model of active harmonic filter

Model with prime mover couple to diesel engine. The complete model of DPP including controller models is shown in Fig. 2.

Solar systems power plant model: Solar systems power plant generates power by utilizing solar radiation and ambient temperature. The equivalent electrical circuit describing the solar cells array used in the analysis is shown in Fig. 3.

Modeling of battery storage system: The equivalent circuit of the battery storage system can be represented as in Fig. 4. In this simulation, besides power plant model, a load model and filter model are also needed. The type of

load tested in this simulation is a type of rectifier load which is intended to determine the level of harmonics on the micro grid. This simulation refers to IEEE 519-2014 for measuring and justifies the harmonic level. The complete model of simulation can be seen in Fig. 5.

Modeling of harmonic filter: In general, there are two stages in the design process of ELM-based active filters. The first stage, an active filter is designed based on the PI controller and then the results of the control action from the PI-based active filter are used as training data by ELM to obtain a beta value that represents the relationship between input and output. The model of active filter based on PI controller can be seen in Fig. 6 and 7.

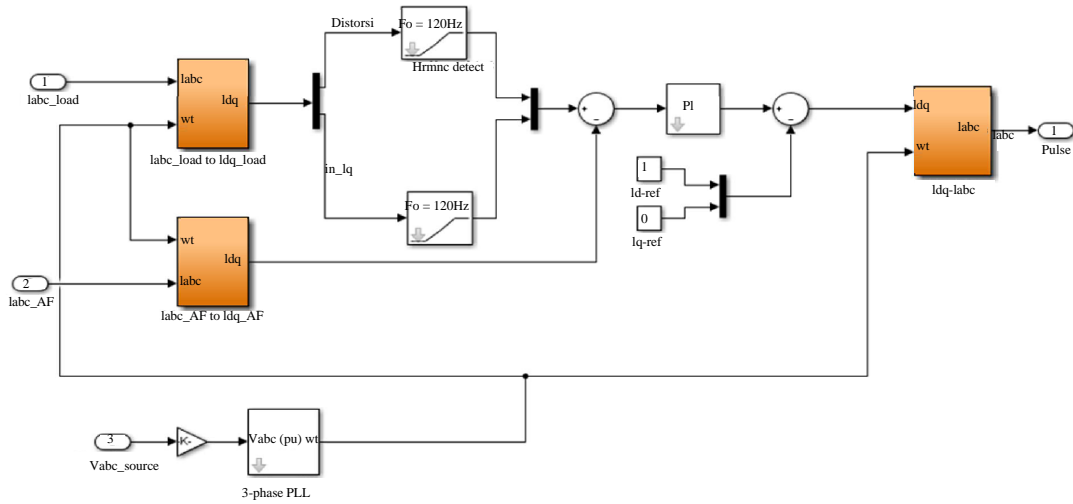


Fig. 7: Model of Proportional Integral (PI) controller for active harmonic filter

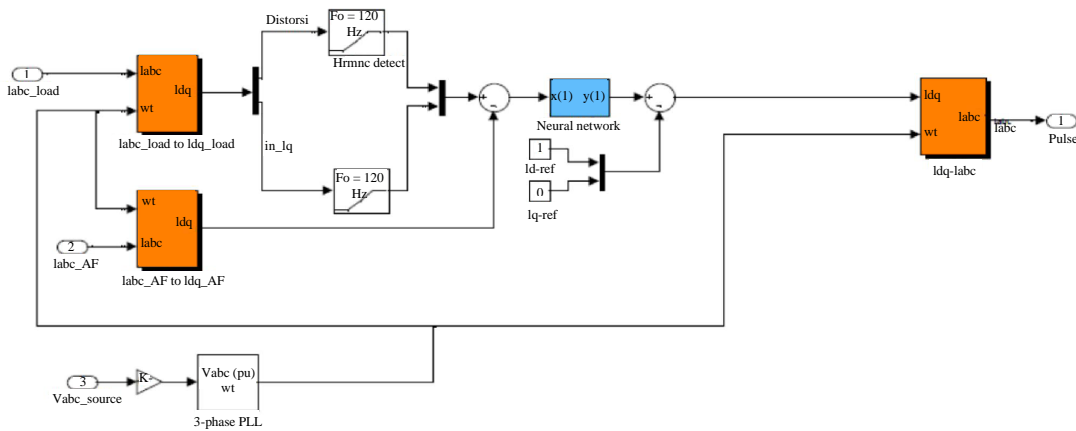


Fig. 8: Model of extreme learning machine controller for active harmonic filter

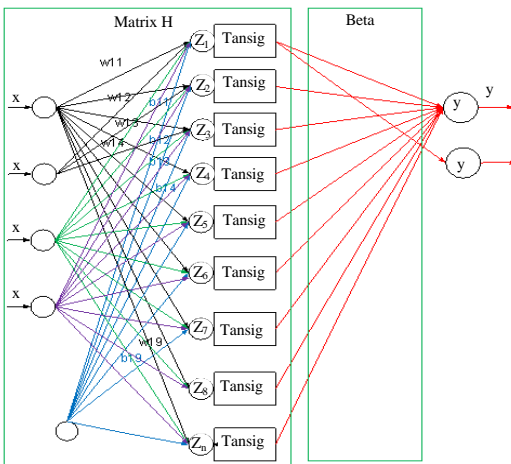


Fig. 9: Model of extreme learning machine

Harmonic active filter based on PI controller:
Harmonic active filter based on extreme learning machine: Structure of ELM used in this simulation has four inputs and two outputs. The inputs are load voltages/currents in d-q frame and APF (Active Power Filter) voltages/currents in d-q frame. The general model of ELM can be seen in Fig. 9.

After the training process is complete, the value obtained is a beta value that represents the relationship between input and output. The beta value is then integrated with the Simulink Model as shown in Fig. 7.

RESULTS AND DISCUSSION

Experiment and data analysis: In this study, performance verification of an active filter was carried out on three

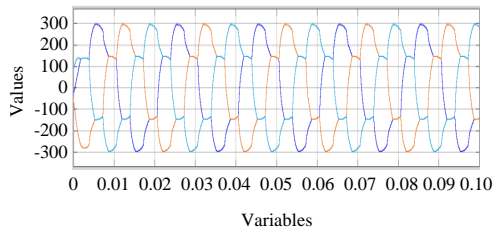


Fig. 10: The original voltage signals without controller

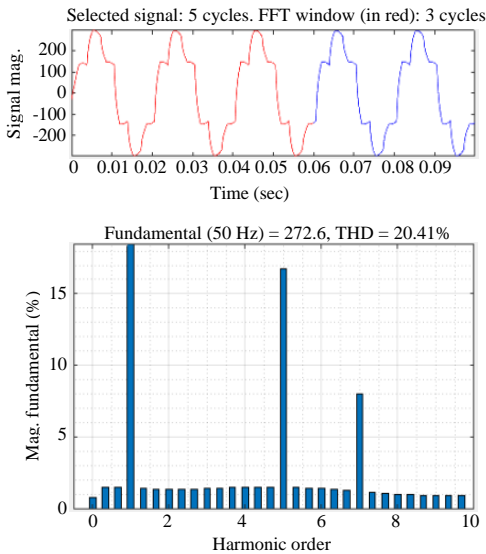


Fig. 11: THD analysis of voltage signals without controller: a) Signal and b) FFT analysis

stages testing for current and voltage parameters. The testing i.e., without controller with the PI controller and with the ELM controller.

Voltage parameter simulation: The simulation carried out at this stage utilizes a three phase voltage signal as shown in Fig.10. Figure 10 it is known that the voltage signal is distorted which is characterized by an imperfect sinus signal. To determine the level of distortion from voltage harmonics, the voltage signal is processed by FFT (Fast Fourier Transformation). And the result can be seen in the Fig. 11.

Figure 11 it is known that the voltage THD is 20.41% which is categorized as exceeding the standard. To reduce the voltage THD, the PI controller based on active filter is simulated, the results of which can be seen in Fig. 12 and 13. Then compared with the simulation results using the active filter based on ELM controller, the results can be seen in Fig. 14 and 15.

Figure 12 and 13 it is known that the voltage THD level has decreased. This is indicated by a signal that is

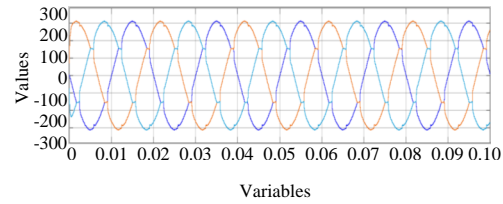


Fig. 12: The original voltage signals with PI controller

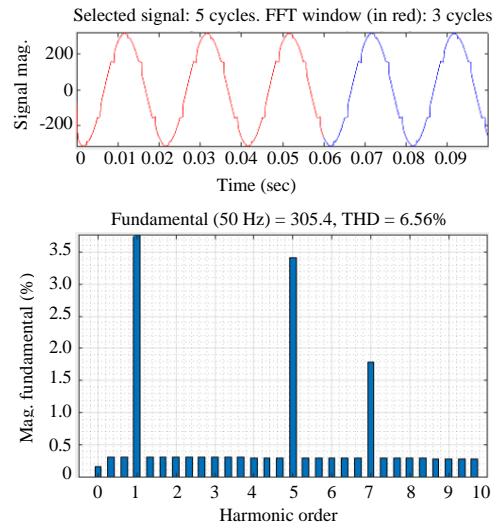


Fig. 13: THD analysis of voltage signals with PI controller: a) Signal and b) FFT analysis

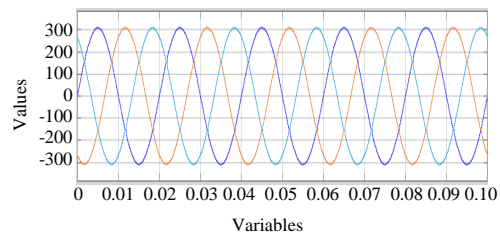


Fig. 14: The original voltage signals with ELM controller

closer to the pure sine signal. But the voltage THD that occurs is still more than 5% which is 6.56% which means it is still more than the permitted standard.

While the results shown in Fig. 14 and 15 which are simulations of the use of ELM-based active filters are known that the voltage THD level has a significant decrease of 1.05% which is in accordance with the allowed standard.

Current parameter simulation: To test the effectiveness of an active filters based on PI controllers and active filters based on ELM controllers, the simulation results are shown in Fig. 16-21.

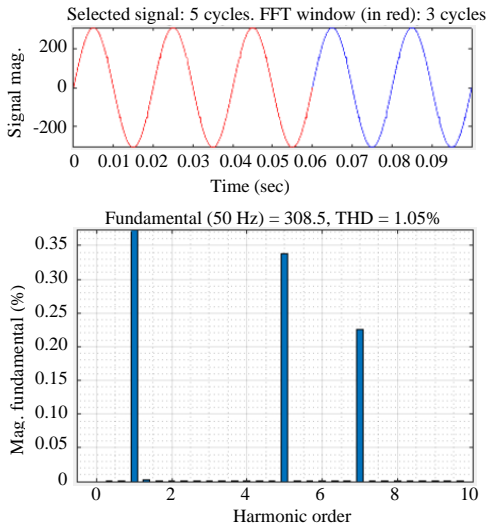


Fig. 15: THD analysis of voltage signals with ELM controller: a) Signal and b) FFT analysis

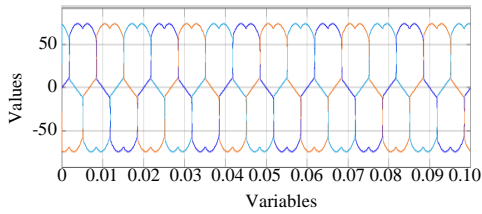


Fig. 16: The original current signals without controller

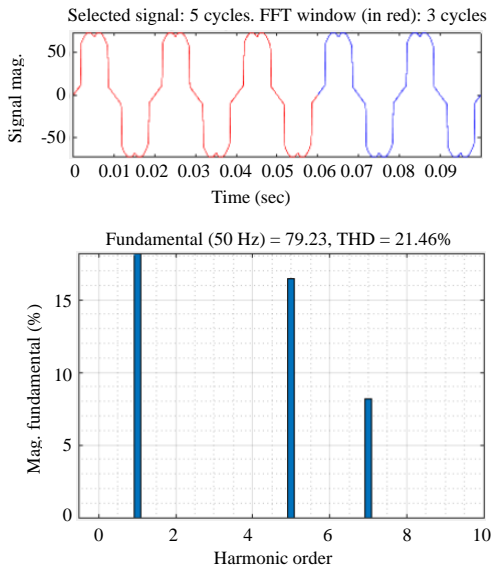


Fig. 17: THD analysis of voltage signals without controller: a) Signal and b) FFT analysis

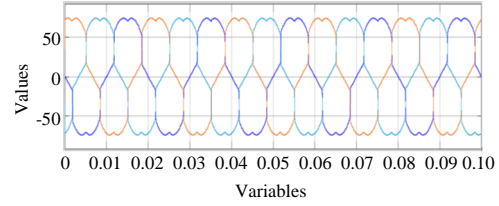


Fig. 18: The original current signals with PI controller

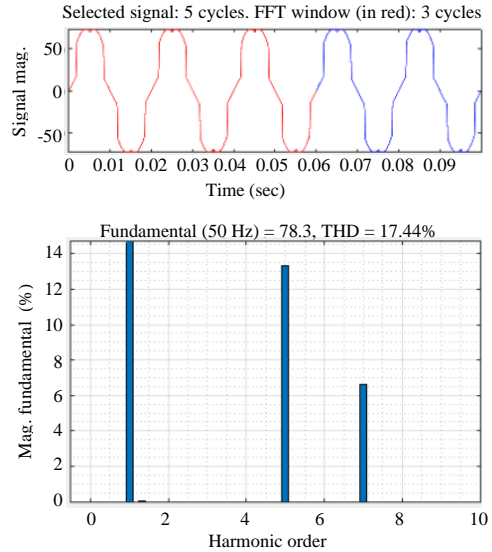


Fig. 19: THD analysis of current signals with PI controller: a) Signal and b) FFT analysis

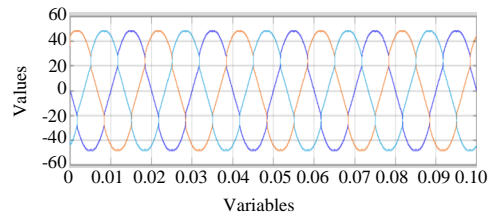


Fig. 20: The original current signals with ELM controller

Figures 16 and 17 show the simulation results without using a controller. From these results it is known that the current THD that exceeds the limit required by the IEEE standard is equal to 21.45%. While the simulation results from the active filter based on PI controller, the results are presented in Fig. 18 and 19. From the two figures can be seen that the current THD has decreased but the results still exceed the permitted standard of 17.44%. While the simulation results from the active filter based on ELM controller, the results are presented in Fig. 20 and 21. From the two figures can be seen that the current THD has decreased but the results still exceed the permitted standard of 6.96%.

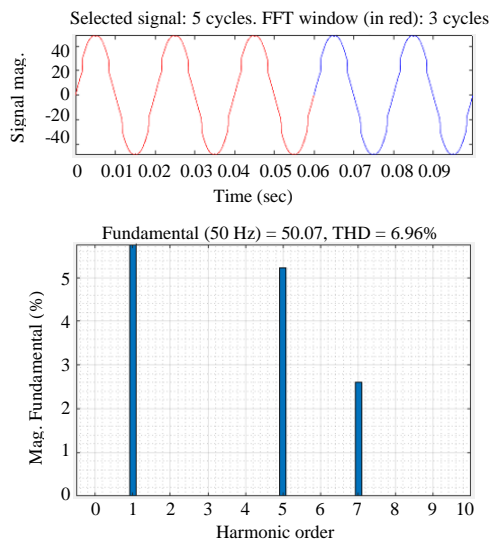


Fig. 21: THD analysis of current signals with ELM controller: a) Signal and b) FFT analysis

CONCLUSION

From the simulation results provided in section 3 can be concluded that the proposed method, abc-dq frame transformation and ELM controller of active harmonic filter is having better performance comparing to PI controller of active harmonic filter. In the voltage cases the PI controller can reduce THD until 6.56% while NN controller can reduce until 1.05%. In other hand in the currents cases the PI controller can reduce THD current until 17.44% while the ELM controller can reduce until 6.96%. According to these data, the proposed method is recommended as method for reducing THD either THD voltage or THD current.

ACKNOWLEDGEMENT

The researchers would like to sincerely thank the The Ministry of Research, Technology and Higher Education, Indonesia for financially supporting this research.

REFERENCES

Abdelsalam, A.K., A.M. Massoud, S. Ahmed and P.N. Enjeti, 2011. High-performance adaptive perturb and observe MPPT technique for photovoltaic-based microgrids. *IEEE. Trans. Power Electron.*, 26: 1010-1021.

Anwar, S., A. Elrayyah and Y. Sozer, 2015. Efficient single-phase harmonics elimination method for microgrid operations. *IEEE. Trans. Ind. Appl.*, 51: 3394-3403.

Cao, X., J. Zhang and H.V. Poor, 2018. Joint energy procurement and demand response towards optimal deployment of renewables. *IEEE. J. Sel. Top. Signal Process.*, 12: 657-672.

Chakir, M., I. Kamwa and H. Le Huy, 2014. Extended C37. 118.1 PMU algorithms for joint tracking of fundamental and harmonic phasors in stressed power systems and microgrids. *IEEE. Trans. Power Delivery*, 29: 1465-1480.

Dudurych, I.M., A. Rogers, R. Aherne, L. Wang and F. Howell *et al.*, 2012. Safety in numbers: Online security analysis of power grids with high wind penetration. *IEEE. Power Energy Magaz.*, 10: 62-70.

Feng, J., B. Zeng, D. Zhao, G. Wu and Z. Liu *et al.*, 2018. Evaluating demand response impacts on capacity credit of renewable distributed generation in smart distribution systems. *IEEE. Access*, 6: 14307-14317.

Gonzatti, R.B., S.C. Ferreira, C.H. da Silva, R.R. Pereira and L.E.B. da Silva *et al.*, 2017. Using smart impedance to transform high impedance microgrid in a quasi-infinite busbar. *IEEE. Trans. Smart Grid*, 8: 428-436.

Hashempour, M.M., M. Savaghebi, J.C. Vasquez and J.M. Guerrero, 2016. A control architecture to coordinate distributed generators and active power filters coexisting in a microgrid. *IEEE. Trans. Smart Grid*, 7: 2325-2336.

Li, J., F. Li, X. Li, H. Liu and F. Chen *et al.*, 2016. S-shaped droop control method with secondary frequency characteristics for inverters in microgrid. *IET. Gener. Trans. Distrib.*, 10: 3385-3392.

Setiawan, D.K., M. Ashari and M.H. Purnomo, 2009. Diagonal recurrent neural network control of four-leg inverter for hybrid power system under fluctuating unbalanced loads. *Proceedings of the 3rd International Student Conference on Advanced Science and Technology (ICAST)*, April 10-12, 2009, Seoul, Korea, pp: 1-2.

Setiawan, D.K., Y. Megantara and B.N. Syah, 2015. Three phase inverter of UPS control system for harmonic compensator and power factor correction using modified synchronous reference frame. *Proceedings of the 2015 International Symposium on Electronics (IES)*, September 29-30, 2015, IEEE, Surabaya, Indonesia, ISBN:978-1-4673-9344-7, pp: 15-19.