

## Harmonic Reduction in Grid Integrated IPMSG with Multi Level Inverter Power Conditioner System

M. Samraj and N. Prakash

Department of Electrical and Electronics Engineering,  
Kumaraguru College of Technology, Coimbatore, Tamilnadu, India

---

**Abstract:** In this study, high efficient power conditioner system for grid integrated variable-speed wind turbine using an Interior Permanent-Magnet Synchronous Generator (IPMSG) is developed. The grid integrated Power Conditioner System (PCS) consists of phase-shifting transformer which powers series-type 12-pulse uncontrolled diode rectifier which is cascaded to a Pulse Width Modulated (PWM) diode clamped multilevel inverter. The active current of the grid-side PWM multi level inverter is controlled to follow the optimal active current reference. In proposed system the passive filter together with a series-type 12-pulse rectifier suppresses the distortions presented in the IPMSG voltages and currents and increases the efficiency by compensating the power factor angle of the IPMSG. Simulation results proves that the proposed reduces the harmonics and it is high efficient.

**Key words:** Permanent Magnet Synchronous Generator (IPMSG), phase shifting transformer, power conditioner system, Pulse Width Modulation (PWM), wind turbine

---

### INTRODUCTION

Optimum speed operation of wind turbine, in response to wind velocity minimizes fluctuations of output power and its effects on the grid. Conventional wind turbines, needs many improvements in performance and consistent of the system in order to achieve higher economic efficiency (Heier, 1998; Tazil *et al.*, 2010; Ribrant and Bertling, 2007). Large-scale wind turbines with pitch control, variable-speed control and a permanent-magnet synchronous generator are feasible. Earlier researches concluded that the combination of a permanent-magnet synchronous generator and an inverter/converter leads to reduction in voltage deviation and variation in output power of wind-turbine. Further, when the generator is integrated with grid system, rush current is zero (Cutululis *et al.*, 2006; Pena *et al.*, 1996; Morimoto *et al.*, 2003). Using Maximum Power Point Tracking (MPPT) control, generator efficiency can be easily kept at the maximum value but this system is costly (Nishida *et al.*, 2006; Ahmed *et al.*, 2006; Chan *et al.*, 2010; Grzesiak *et al.*, 1999). While using synchronous generator, the generator-side converter is replaced by a three-phase diode rectifier and a chopper (Tan and Islam, 2004; Jiao *et al.*, 2001; Song *et al.*, 2003; Higuchi *et al.*, 2000; Hoffmann and Mutschler, 2000). Which is low cost when compared with the full-power converter. Voltage at dc side

of the diode rectifier changes with change in generator speed. A step-up chopper is used to adapt the rectifier voltage to the dc-link voltage of the inverter (Grzesiak *et al.*, 1999). The step-up chopper used as a rectifier utilize a high switching frequency, implying that the bandwidth of these components is much higher than the bandwidth of the generator. The machine torque can be controlled by controlling the inductance current in the step-up chopper. In a buck-boost converter is proposed for a dc-dc chopper, voltage stress in the chopper switch is higher than that of the boost converter (Higuchi *et al.*, 2000).

In Power Conditioner System (PCS) consisting of a series-type 12-pulse rectifier and a three-phase voltage-fed PWM inverter with grid Integration of the Interior Permanent-Magnet Synchronous Generator (IPMSG) is developed (Mademlis and Margaris, 2002).

In this study, grid integrated Power Conditioner System (PCS) consisting of phase-shifting transformer which powers series-type 12-pulse uncontrolled diode rectifier which is cascaded to a Pulse Width Modulated (PWM) diode clamped multilevel inverter. In this method, passive filter design at the generator terminals effectively reduces the losses in the system and the grid-side PWM inverter supplies sinusoidal currents to the grid within a wide range of the system operating speed. The power factor of the grid-side PWM diode clamped inverter can be adjusted by controlling its reactive current control.

**SYSTEM DESCRIPTION**

In Fig. 1, conventional Power Conditioner System (PCS) consisting of a series-type 12-pulse rectifier and a three-phase voltage-fed PWM inverter for grid integration of the IPMSG is shown. In the proposed system grid side PWM voltage source inverter is replaced by a diode clamped multilevel inverter. The weight of the phase changing transformer on the generator-side 12-pulse diode rectifier is heavy due to the low-frequency operation of the generator output power.

Compared with the conventional system, the proposed system has advantages in terms of low cost and high reliability and reduction in harmonics.

Figure 1 shows conventional series-type 12-pulse rectifier and a three-phase voltage-fed PWM inverter for grid integration.

High-efficient operation of the generator can be achieved by connecting a simple passive filter at the generator terminal. Design of the passive LC filter for optimum parameters should compensate the power factor angle of the generator. In addition, employing series-type 12-pulse rectifier, the dc-link voltage can be easily kept at a high value enough to operate the latter grid-connected inverter even in a low-speed area.

**Passive filter design:** The passive filters, set at the generator terminals are designed not only to decrease harmonics in voltages and currents but also it improves the generator efficiency. To decrease the total losses in the stator windings and iron core of the generator, the desired weakening exciting stator current ( $i_{gd}^*$ ) of the permanent-magnet flux with an indefinite q-axis stator current ( $i_{gq}^*$ ) is given by Mademlis and Margaris (2002):

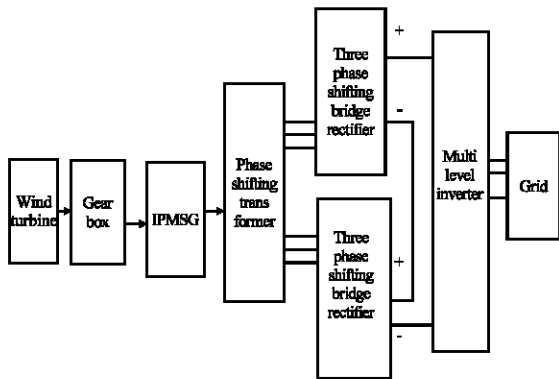


Fig. 1: Conventional series-type 12-pulse rectifier and a three-phase voltage-fed PWM inverter for grid integration

$$i_{gd}^* = \frac{\sqrt{1.5\phi_a} R_a + b(2-\gamma)}{2(L_q - L_d) R_a + b} - \sqrt{\frac{1.5\phi_a^2}{4(L_q - L_d)} \left(\frac{R_a + b\gamma}{R_a + b}\right)^2 + i_{gq}^{*2} \frac{R_a + b\gamma^2}{R_a + b}} \quad (1)$$

Where:

$$b = (\omega L_d)^2 / R_c$$

$$\gamma = L_q / L_d$$

Then, the desired current phase  $\theta^*$  on the d-q frame, the angle between the back-induced emf and the current ig of the IPMSG for achieving the high-efficiency operation of the generator through decreasing the copper and iron losses is set by:

$$\theta^* = \tan^{-1} \left( \frac{-i_{gd}^*}{i_{gq}^*} \right) \quad (2)$$

Figure 2 and 3 shows the simplified equivalent circuit of the proposed system and its vector diagram, respectively, to obtain the angle  $\theta$ . In Fig. 2, the passive filter is represented by  $L_s$  and  $C_s$  and the 12-pulse rectifier is modeled by a resistance  $R_{12P}$  which is inversely proportional to the generator frequency. The angle  $\theta$  can be determined by the following which is based on Fig. 3:

$$\theta = \phi + \delta \quad (3)$$

$$\text{Iron loss} = \frac{v_m^2}{R_e}$$

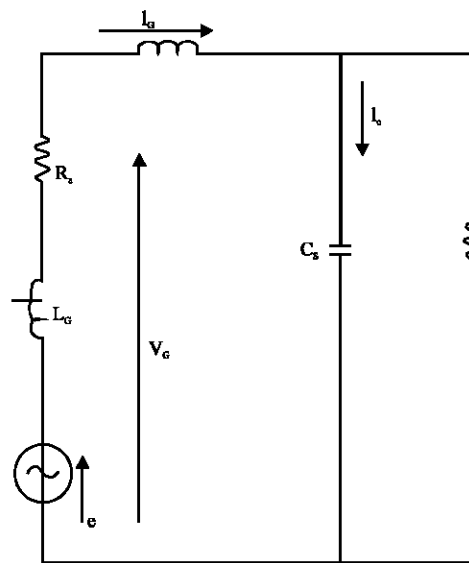


Fig. 2: Equivalent circuit of IPMSG with filter and rectifier

$$\phi = \tan^{-1} \left( \frac{2\pi f L_s + (2\pi f)^3 L_s C_s^2 R_{12P}^2 - 2\pi f C_s R_{12P}^2}{R_{12P}} \right) \quad (4)$$

$$P_G = \frac{e.v_g}{2\pi f L_q} \sin \delta - \frac{v_g^2 (L_q - L_d) \sin \delta}{2.2 \pi f L_q L_d} + v_g R_a i_g \left\{ \frac{\cos \delta \sin(\phi + \delta)}{2\pi f L_q} - \frac{\cos(\phi + \delta) \sin \delta}{2\pi f L_q} \right\} \quad (5)$$

where,  $P_G$  the generator power output.

**Calculation example:**  $f = 70$  Hz, desired  $P_G = 560$  W,  $L_s = 8$  mH,  $C_s = 3 \mu F = 118$  V.

**Experimental result:**  $R_{12P} P \approx v_g^2 / P_G = 24.9 \Omega$ ,  $\phi = 9.2^\circ$ ,  $i_g = 4.81$  A,  $\delta = 10.8^\circ$ .

**Estimation of the generator frequency:** The three-phase voltage-fed PWM inverter is connected to the power grid through three-phase transformers, as shown in Fig. 4.

Figure 5 shows the experimental results of the dc-link voltage of the series-type 12-pulse rectifier under the conditions of dc load and speed variations.

The results indicate that the relation between the dc-link voltage and current is linear and is given experimentally as follows:

$$V_{dc0} = V_{dc} + k.I_{dc} \quad (6)$$

Where:

- $V_{dc}$  = The measured dc-link voltage of the series-type 12-pulse rectifier
- $V_{dc0}$  = The dc-link voltage at the no-load condition
- $I_{dc}$  = The dc-link current
- $k$  ( $k = 8.0V/A$ ) = A constant

Based on the experimental results represented by Eq. 6 the dc-link voltage  $V_{dc0}$  which is required to determine the generator frequency  $f$  is estimated using both the measured dc-link voltage  $V_{dc}$  and the dc-link current  $I_{dc}$ .

By making the power balance between the dc-link power and the power supplied to the grid with neglecting the power losses in the grid-side PWM inverter, the dc-link current  $I_{dc}$  can be calculated as:

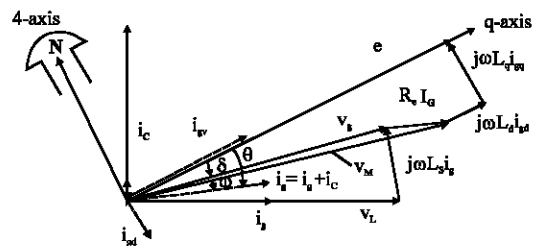


Fig. 3: Vector diagram of IPMSG in steady state where,  $v_g$  = Terminal voltage;  $v_{\bar{r}}$  12 pulse rectifier transformer primary voltage;  $e$  = Electromotive force;  $\theta$  = Phase difference between  $v_g$  and  $e$ ;  $\delta$  = Load angle of SG;  $\omega$  = Power factor angle of SG

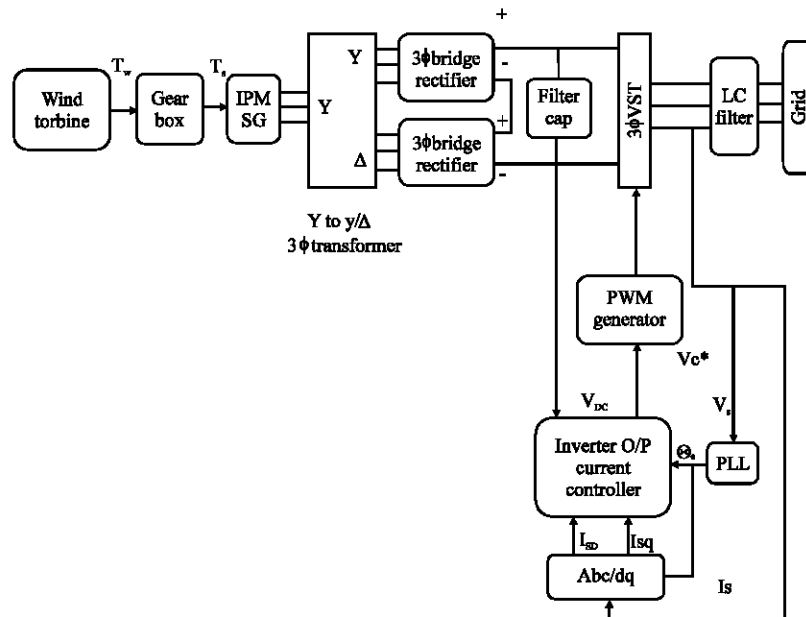


Fig. 4: Control diagram for grid side PWM diode clamped multi level inverter

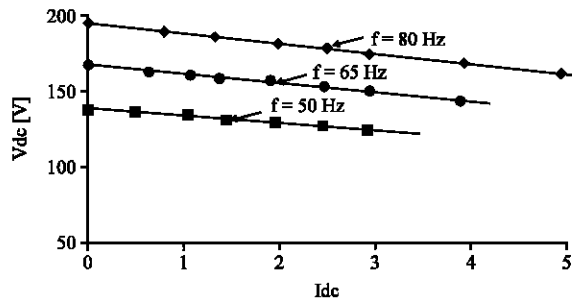


Fig. 5: Linear characteristics of IPMSG in steady state

$$I_{dc} = \frac{V_s}{V_{dc}} i_{sd} \quad (7)$$

Therefore,  $V_{dc}$  can be redefined by substituting Eq. 7 and 8 in as follows:

$$V_{dc0} = \frac{V_{dc} + k \cdot V_s \cdot i_{sd}}{V_{dc}} \quad (8)$$

Where:

- $i_{sd}$  = The measured active current of the inverter
- $V_s$  = The rms value of line voltage (= 50 V)

On the other hand,  $V_{dc}$  can be also calculated from the steady-state characteristic equation of the IPMSG as follows. The maximum value of the generator phase voltage EM is given by:

$$E_M = 2\pi f \cdot \theta_a \quad (9)$$

While the maximum value of the secondary line-to-line voltage of the transformer  $V_{2M}$  is defined by:

$$V_{2M} = E_M \times \frac{1}{n} \times \sqrt{3} \quad (10)$$

Where:

- $\phi_a$  = The maximum flux linkage due to the permanent magnet per phase ( $\phi_a = 0.235$  Wb)
- $n$  = The turn ratio of the transformer

As the rectifier is a series 12-pulse type with deviation angle of  $30^\circ$ ,  $V_{dc0}$  can be also calculated from:

$$\begin{aligned} V_{dc0} &= |V_{2M} + V_{2M}^{e^{j\theta}}| = V_{2M} \cdot 2 \cdot \cos 15^\circ \\ &= 2\pi f \phi_a \times \frac{1}{n} \times \sqrt{3} \times 2 \times \cos 15^\circ \\ &= 2.47 \times f \end{aligned} \quad (11)$$

Finally, the generator frequency is defined by using Eq. 8 and 11 as follows:

$$f = \frac{V_{dc} + k \cdot V_s \cdot i_{sd}}{2.47 \cdot V_{dc}} \quad (12)$$

**Diode clamped multi level inverter:** The elementary concept of a multi level inverter is to achieve higher power is to use a series of power semiconductor switches with several lower voltage dc sources to perform the power conversion by synthesizing a staircase voltage waveform. Capacitors, batteries and renewable energy voltage sources can be used as the multiple dc voltage sources. The commutation of the power switches aggregate these, multiple dc sources in order to achieve high voltage at the output; however, the rated voltages of the power semiconductor switches depends only upon the rating of the dc voltage of the capacitor to which it is connected.

Multi level converters not only can generate the output voltages with very low distortion but also can reduce the dv/dt stresses, therefore Electromagnetic Compatibility (EMC) problems can be reduced. Multi level converters can operate at both fundamental switching frequency and high switching frequency PWM. It should be noted that lower switching frequency usually means lower switching loss and higher efficiency. Diode clamped multi level inverter is used to reduce the harmonic distortion in the output voltage and change in grid power.

## EXPERIMENTAL RESULTS

Figure 6 shows the functions of designed passive filter and investigate significant advantages of proposed diode clamped multi level inverter which has been applied and tested for 1.5-KW IPMSG System. System parameters used in simulation are listed in Table 1.

### Effect of the designed passive filter of different generator frequencies with grid side multi level inverter:

- CH1: IPMSG terminal voltage  $v_{ab} = 100V/div$ , T.H.D = 2.47%
- CH4: Grid side voltage  $v_{out} = 50 V/div$ , T.H.D = 0.7%
- CH5: Grid side current  $i_{out} = 2 A/div$ , T.H.D = 1.08%

The harmonic distortion at the generator voltage of normal PWM based voltage source inverter 6.5% with 40.0 Hz. Whereas, the harmonic distortion contents at the generator voltage with grid side diode clamped multi level inverter are reduced to 4.5% with 40.0 Hz:

- CH1: IPMSG terminal voltage  $v_{ab} = 100V/div$ , T.H.D = 2.67%

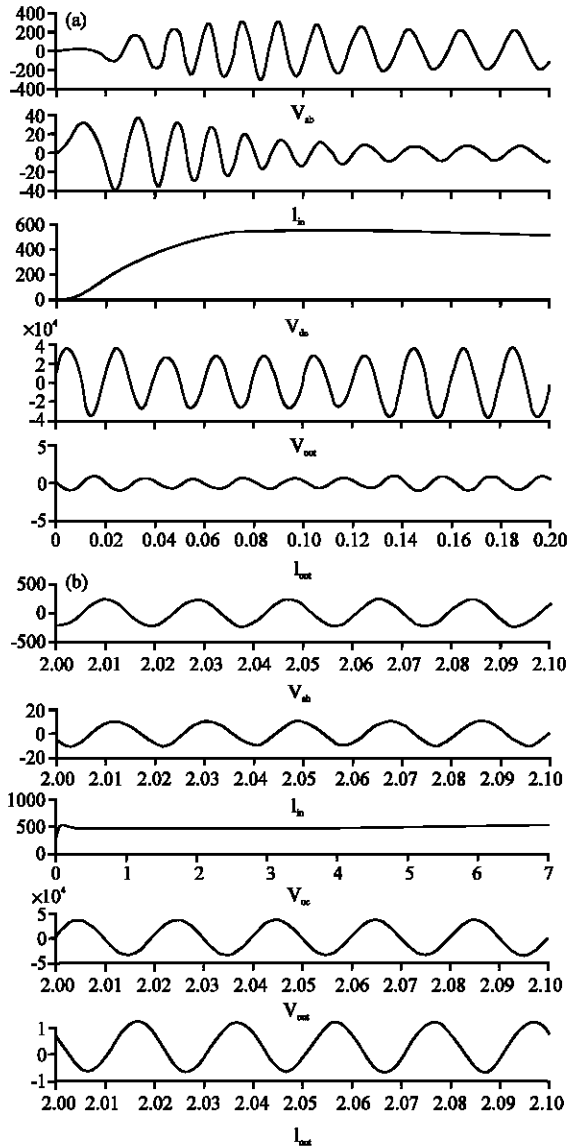


Fig. 6: Operating waveforms of IPMSG of different output frequencies with grid side multilevel inverter; a) Generator  $f = 40.0$  Hz; b) Generator frequency  $f = 80.3$  Hz

Table 1: System specifications

Symbols	Quantity	Number
$\phi_a$	Magnet flux-linkage	0.235 Wb
P	Number of pole pairs	3
$L_q$	q-axis inductance	11.96 mH
$L_d$	d-axis inductance	8.90 mH
$R_a$	Armature resistance	0.774 $\Omega$
$I_{am}$	Maximum current	6.3A
$R_c$	Iron loss resistance	444.6 $\Omega$

- CH4: Grid side voltage  $v_{out} = 50$  V/div, T.H.D = 1.02%
- CH5: Grid side current  $i_{out} = 2$  A/div, T.H.D = 1.05%

The harmonic distortion at the generator voltage of normal PWM based voltage source inverter 6.5% with 80.3 Hz. Whereas, the harmonic distortion contents at the generator voltage with grid side diode clamped multi level inverter are reduced to 4.5% with 80.3 Hz.

### CONCLUSION

In this study, grid-side PWM diode clamped Multi level inverter cascaded in series with a series-type 12-pulse rectifier for a variable-speed, Grid Integrated IPMSG System has been proposed. From the rectified output voltage of the IPMSG generator speed can be measured and the output power is supplied to the grid. The power factor of the grid-side multi level inverter can be kept at unity. Moreover, the designed passive filter connected at the terminal of the IPMSG reduces the harmonic distortion observed in the line current and the terminal voltage of the generator. The function of the passive filter is not only the harmonic elimination but also the reduction of the total losses of the generator.

Simulation results of the the implemented system with ac-dc-ac power conversion circuit employed with the grid side multi level inverter indicates that the proposed system has advantages including high reliability, harmonic reduction in grid voltage, minimizing output power loss and a wide speed range for variable-speed wind-turbine controllers.

### REFERENCES

Ahmed, T., K. Nishida and M. Nakaoka, 2006. Advanced control of PWM con-verter with variable speed induction generator. IEEE Trans. Ind. Appl., 42: 934-945.

Chan, T.F., W. Wang and L.L. Lai, 2010. Analysis and performance of a permanent-magnet synchronous generator supplying an isolated load. IET Electr. Power Appl., 4: 169-176.

Cutululis, N.A., E. Ceanga, A.D. Hansen and P. Sorensen, 2006. Robust multi-model control of an autonomous wind power system. Wind Energy, 9: 399-419.

Grzesiak, L., W. Koczara and M. da Ponte, 1999. Application of a permanent magnet machine in the novel hygen adjustable speed load-adaptive electricity generating system. Proceedings of the International Conference on Electric Machines and Drives, May 1999, Seattle, WA., pp: 398-400.

Heier, S., 1998. Grid Integration of Wind Energy Conversion Systems. John Wiley and Sons Ltd., New York, ISBN: 978-0-470-86899-7, pp: 385.

- Higuchi, Y., N. Yamamura, M. Ishida and T. Hori, 2000. An improvement of performance for small-scaled wind power generating system with permanent magnet type synchronous generator. Proceedings of the 26th Annual Conference on Industrial Electronics Society, Volume 2, October 22-28, 2000, Nagoya, pp: 1037-1043.
- Hoffmann, R. and P. Mutschler, 2000. The influence of control strategies on the energy capture of wind turbines. Proceedings of the IEEE Industry Applications Conference, Volume 2, October 8-12, 2000, Rome, pp: 886-893.
- Jiao, S., G. Hunter, V. Ramsden and D. Patterson, 2001. Control system design for a 20 kW wind turbine generator with a boost converter and battery bank load. Proceedings of the IEEE 32nd Annual Power Electronics Specialists Conference, Volume 4, Jun 17-21, 2001, Vancouver, BC., pp: 2203-2206.
- Mademlis, C. and N. Margaris, 2002. Loss minimization in vector-controlled interior permanent-magnet synchronous motor drives. IEEE Trans. Ind. Electr., 49: 1344-1347.
- Morimoto, S., T. Nakamura and Y. Takeda, 2003. Power maximization control of variable speed wind generation system using permanent magnet synchronous generator. IEE J. Trans. Power Energy, 123: 1573-1579.
- Nishida, K., T. Ahmed and M. Nakaoka, 2006. Induction generator hybrid applications with active power filter. Proc. Electr. Power Appl., 153: 197-205.
- Pena, R., J.C. Clare and G.M. Asher, 1996. Doubly fed induction generator using back-to-back PWM converters and its application to variable-speed wind-energy generation. Proc. Electr. Power Appl., 143: 231-241.
- Ribrant, J. and L.M. Bertling, 2007. Survey of failures in wind power systems with focus on Swedish wind power plants during 1997-2005. IEEE Trans. Energy Convers., 22: 167-173.
- Song, S.H., S.I. Kang and N.K. Hahm, 2003. Implementation and control of grid connected AC-DC-AC power converter for variable speed wind energy conversion system. Proceedings of the 18th Annual IEEE Applied Power Electronics Conference and Exposition, Volume 1, February 9-3, 2003, Miami Beach, FL, USA., pp: 154-158.
- Tan, K. and S. Islam, 2004. Optimum control strategies in energy conversion of PMSG wind turbine system without mechanical sensors. IEEE Trans. Energy Convers., 19: 392-399.
- Tazil, M., V. Kumar, R.C. Bansal, S. Kong, Z.Y. Dong, W. Freitas and H.D. Mathur, 2010. Three-phase doubly fed induction generators: An overview. IET Electr. Power Appl., 4: 75-89.